

Always here to help you

Register your product and get support at
www.philips.com/welcome

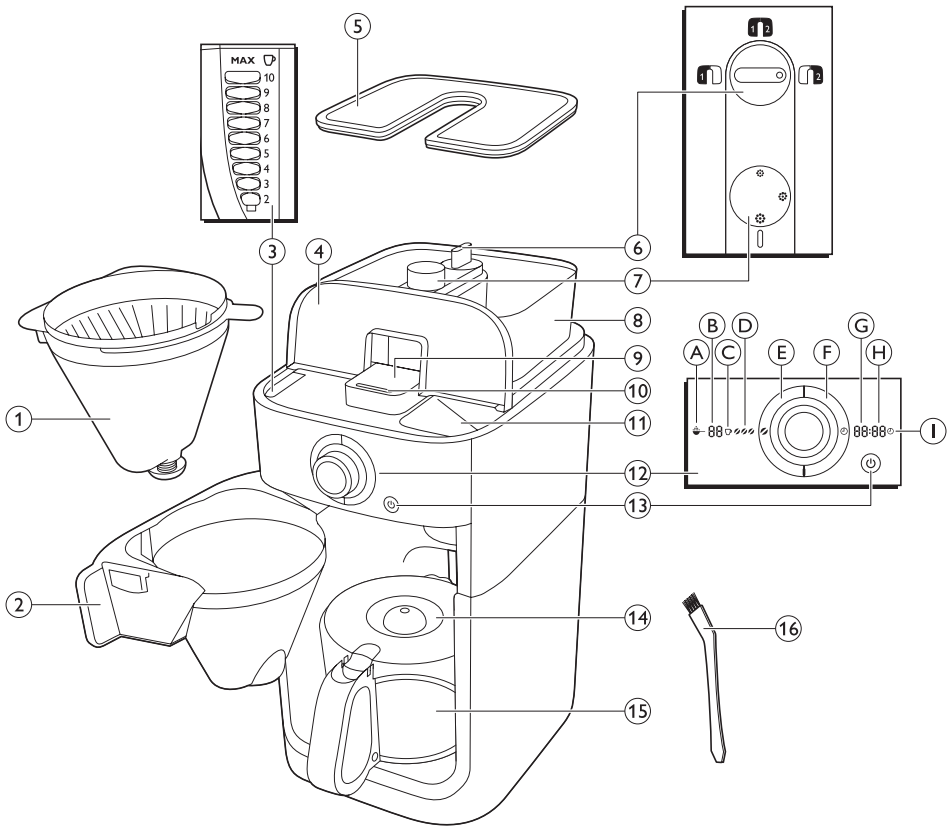
HD7762



EN	User manual	5	IT	Manuale utente	39
DA	Brugervejledning	14	NL	Gebruiksaanwijzing	48
FI	Käyttöopas	22	NO	Brukerhåndbok	57
FR	Mode d'emploi	30	SV	Användarhandbok	65

PHILIPS





1 Introduction

Congratulations on your purchase and welcome to Philips! To fully benefit from the support that Philips offers, register your product at www.philips.com/welcome.

2 General description (Fig. 1)

- 1 Filter basket
- 2 Filter basket holder
- 3 Water level indicator
- 4 Water reservoir lid
- 5 Bean container lid
- 6 Container selector
- 7 Coarseness knob
- 8 Duo coffee bean container
- 9 Lid of coffee bean chute
- 10 Coffee bean chute ejector
- 11 Water filling hole
- 12 Display
 - A Pre-ground coffee icon
 - B Number of cups
 - C Coffee cup icon
 - D Strength select coffee bean icon
 - E Strength select button
 - F Timer button
 - G Hour indication
 - H Minute indication
 - I Timer icon
- 13 On/off button
- 14 Glass jug lid
- 15 Glass jug
- 16 Cleaning brush

3 Important

Read this user manual carefully before you use the appliance and save it for future reference.

3.1 Danger

- Never immerse the appliance in water or any other liquid, nor rinse it under the tap.

3.2 Warning

- Check if the voltage indicated on the bottom of the appliance corresponds to the local mains voltage before you connect the appliance.
- If the mains cord is damaged, you must have it replaced by Philips, a service centre authorised by Philips or similarly qualified persons in order to avoid a hazard.
- This appliance can be used by children aged from 8 years and above and by persons with reduced physical, sensory or mental capabilities or lack of experience and knowledge if they have been given supervision or instruction concerning use of the appliance in a safe way and if they understand the hazards involved. Cleaning and user maintenance shall not be made by children unless they are older than 8 and supervised. Keep the appliance and its cord out of reach of children aged less than 8 years.
- Children shall not play with the appliance.

- Do not let the mains cord hang over the edge of the table or worktop on which the appliance stands.
- Do not touch the grinding burrs of the appliance, especially when the appliance is connected to the mains.
- Keep the packaging materials (plastic bags, cardboard buffers, etc.) out of the reach of children, as they are not a toy.
- Do not touch the hot surfaces of the appliance when it operates.
- This appliance is designed to grind beans and make coffee. Use it correctly and with care to avoid scalding by hot water and steam.
- Do not empty the water reservoir by tilting the appliance, it can damage the appliance. Only empty the water reservoir by following the flush instruction.
- Do not use the appliance if the plug, the mains cord or the appliance itself is damaged.
- If a problem occurs that you cannot solve by means of this user manual, contact the Consumer Care Centre in your country. If the problem cannot be solved, take the appliance to a service centre authorised by Philips for examination or repair. Do not attempt to repair the appliance yourself, otherwise your guarantee becomes invalid.

3.3 Caution

- Do not place the appliance on a hot surface and prevent the mains cord from coming into contact with hot surfaces.
- Unplug the appliance if problems occur during grinding or brewing and before you clean it.
- Do not move the appliance while it is operating.
- The appliance becomes hot during use. Let the appliance cool down before you store it.
- During brewing, the lower part of the appliance and the bottom of the jug become hot.
- After you have unpacked the appliance, make sure it is complete and undamaged. If in doubt, do not use the appliance but contact the Consumer Care Centre in your country.
- This appliance is intended for normal household use only. It is not intended for use in environments such as staff kitchens of shops, offices, farms or other work environments. Nor is it intended to be used by clients in hotels, motels, bed and breakfasts and other residential environments.

3.4 Electromagnetic fields (EMF)

This Philips appliance complies with all applicable standards and regulations regarding exposure to electromagnetic fields.

4 Before first use

4.1 Setting the clock

- 1** Put the mains plug in the wall socket.
 - *00:00 flashes on the display to indicate that you have to set the clock time.*
- 2** Turn the knob to set the hour (Fig. 2).
- 3** Press in the centre of the knob to confirm the hour (Fig. 3).
 - *The minutes start to flash to indicate that you have to set the minutes.*
- 4** Turn the knob to set the minutes (Fig. 4).
- 5** Press in the centre of the knob to confirm the minutes (Fig. 5).
- 6** The display shows the set clock time. The coffeemaker is ready for use.

4.2 Setting the automatic switch off time

You can adjust the time after which the appliance automatically switches off. The default time is set to 30 minutes. You can adjust this time to a maximum of 120 minutes. If you want to adjust the automatic switch off time, follow the steps below.


- 1** Make sure the appliance is switched off (but the mains plug is in the wall socket).
- 2** Press and hold in the centre of the knob until the display starts to flash.
- 3** Turn the knob to increase or decrease the time. 1 is 10 minutes, 2 is 20 minutes, 3 is 30 minutes and so on until 12 is 120 minutes.
- 4** Press in the centre of the knob to confirm the minutes.

Note:

The appliance always saves the last setting.

4.3 Flushing the appliance

You need to flush the coffeemaker once before first use.

- 1** Open the water reservoir lid. Fill the water reservoir with fresh cold water **up to the 8-cup indication**. (Fig. 6)
 -  **Note:****
 - Do not put coffee beans or ground coffee in the appliance.
- 2** Close the water reservoir lid.
- 3** Put the jug in the appliance (Fig. 7).
- 4** Press the on/off button (Fig. 8).
 - *The display lights up.*
- 5** Press the strength select button (Fig. 9).
- 6** Turn the knob to choose the pre-ground coffee setting (Fig. 10).
 - *The pre-ground coffee icon lights up.*
- 7** Press in the centre of the knob to confirm. Then press in the centre of the knob again to start the flushing process (Fig. 11).
- 8** Let the appliance operate until the flushing process has been completed.
- 9** Empty the jug.

5 Using the appliance

5.1 Filling the water reservoir

- 1** Open the water reservoir lid and fill the water reservoir with the required amount of cold water. (Fig. 6)

When you open the water reservoir lid, there are indications for 2 to 10 cups on the inside of the appliance. You can use these indications to determine how much water to put in the water reservoir: The reflection changes from light to dark per filled cup of water. You can also use the water level indicator on the jug.

Note:

Do not fill the water reservoir beyond the 10-cup indication.

5.2 Using coffee beans

Warning:

Always keep the water reservoir lid closed when you fill the coffee bean container with coffee beans. Otherwise coffee beans can fall into the water reservoir and block up the water inlet.

- 1 Remove the coffee bean container lid. (Fig. 12)
- 2 Fill the duo coffee bean container with coffee beans. You can fill the duo coffee bean container with two different types of coffee beans. Make sure there are enough coffee beans in the container for the amount of coffee you want to brew (Fig. 13).

Note:

Always make sure the coffee bean container is at least half full.

Warning:

To prevent the grinder from jamming, do not use unroasted or caramelised beans. We advise to use coffee beans instead of espresso beans as this may cause damage.

- 3 To open the filter basket holder, pull at its tab on the right side of the coffeemaker (Fig. 14).
- 4 Take a paper filter (type 1x4 or no. 4) and fold the sealed edges to prevent tearing and folding. Place the paper filter in the filter basket. (Fig. 15)
- 5 Close the filter basket holder.
- 6 Put the jug in the appliance. (Fig. 7)
- 7 Turn the coarseness knob to select the desired type of grind (from fine to coarse). (Fig. 16)

Tip:

The coarseness knob allows you to choose between nine different settings. We preselected 3 optimal settings but you can also choose any setting in between the icons. We advise you to experiment with the different grind settings to find out which setting you prefer.

- 8 Turn the container selector to choose between the two types of coffee beans (Fig. 17).

Warning:

Whenever you switch between coffee bean containers or coffee beans, there will always be traces of coffee left of the previously ground type of coffee beans. Clean the coffee bean chute after you switch to a new type of coffee bean to prevent this.

Note:

Depending on your taste, you can either select one of the two types of coffee beans or a mix of both types.

- 9 Press the on/off button on the front of the appliance (Fig. 8).
 - *The number of cups starts to flash.*
- 10 To select the number of cups, turn the knob until the desired number of cups appears on the display (Fig. 18).

Note:

Make sure that the number of cups you select with the 2-10 cups button is consistent with the amount of water in the water reservoir. Please keep in mind that the coffeemaker uses all the water in the water reservoir. If you select a number of cups that is smaller than the amount of water, the coffee becomes weaker than you intended.

- 11 Press in the centre of the knob to confirm the number of cups.
- 12 Press the strength select button. (Fig. 9)
 - *The coffee bean icons start to flash.*
- 13 Turn the knob to select the desired coffee strength (mild: 1 bean, medium: 2 beans or strong: 3 beans) (Fig. 10).
 - *The display shows the selected coffee strength.*

☼ Tip:

We advise you to experiment with the amount of water to find out which strength you prefer. If you select a number of cups that is higher than the amount of water, the coffee becomes stronger. If you select a number of cups that is smaller than the amount of water, the coffee becomes weaker.

- 14** Press in the centre of the knob to confirm, Then press in the centre of the knob again to start the brewing process (Fig. 19).

- *The grinder grinds the required amount of coffee beans.*

- 15** Wait until the coffeemaker has stopped brewing before you remove the jug.

☹ Note:

After brewing, coffee drips from the filter basket for several seconds.

5.3 Using pre-ground coffee

If you want to use pre-ground coffee instead of coffee beans, follow the steps below.

- 1** Open the water reservoir lid and fill the water reservoir with the required amount of cold water. (Fig. 6)
- 2** To open the filter basket holder, pull at its tab on the right side of the coffeemaker (Fig. 14).
- 3** Take a paper filter (type 1x4 or no. 4) and fold the sealed edges to prevent tearing and folding. Place the paper filter in the filter basket (Fig. 15).
- 4** Put pre-ground coffee in the paper filter.

☹ Note:

You can adjust the strength of the coffee to your own personal taste. For a medium-strong cup of coffee, use one measuring spoon (approximately 6g) of ground coffee for each cup (120ml). For stronger coffee, use 1.5 measuring spoons of ground coffee for each cup of coffee.

- 5** Close the filter basket holder.
- 6** Put the jug in the appliance (Fig. 7).
- 7** Press the on/off button (Fig. 8).
 - *The display lights up.*

- 8** Press the strength select button (Fig. 9).

- 9** Turn the knob to choose the pre-ground coffee setting (Fig. 10).
 - *The pre-ground coffee icon lights up.*

- 10** Press in the centre of the knob to confirm. Then press in the centre of the knob again to start the brewing process (Fig. 11).

- 11** Wait until the coffeemaker has stopped brewing before you remove the jug.

☹ Note:

After brewing, coffee drips from the filter basket for several seconds.

5.4 Setting the timer

The timer enables you to program the time at which you want the brewing process to start. Make sure all steps of brewing coffee are taken with either preground or coffee beans before setting the timer:

- 1** Press the timer button. (Fig. 20)
 - *On the display 00:00 flashes to indicate that you have to set the timer.*
- 2** Turn the knob to set the hour (Fig. 21).
- 3** Press in the centre of the knob to confirm the hour (Fig. 22).
 - *The minutes starts to flash to indicate that you have to set the minutes.*
- 4** Turn the knob to set the minutes (Fig. 23).
- 5** Press in the centre of the knob to confirm the minutes (Fig. 24).
 - *The timer is set and the brewing process will start at the preset time.*

5.5 Drip stop function

The drip stop function enables you to remove the jug from the coffeemaker before the brewing process is finished. When you remove the jug, the drip stop stops the flow of coffee into the jug.

☹ Note:

The brewing process does not stop when you remove the jug. If you do not put the jug back into the appliance within 20 seconds, the filter basket overflows.

6 Cleaning and maintenance

6.1 Cleaning after every use

 **Warning:**

Never immerse the appliance in water or any other liquid, nor rinse it under the tap.

- 1 Press the on/off button on the front of the appliance to switch off the appliance. (Fig. 25)
- 2 Remove the mains plug from the wall socket.
- 3 Wipe the outside of the coffeemaker with a damp cloth (Fig. 26).
- 4 Clean the filter basket and the jug in the dishwasher or with hot water and some washing-up liquid.

6.2 Cleaning the coffee bean chute

Whenever you switch between coffee bean containers or coffee beans, there will always be traces left of the previously ground type of coffee beans that can affect the taste of your coffee. Clean the coffee bean chute every 1 to 2 weeks or whenever you switch between coffee bean containers to prevent freshly ground coffee and traces in the coffee bean chute from mixing together. After you switch to a new type of coffee beans, follow the steps below to ensure optimal taste.

- 1 Press the on/off button on the front of the appliance to switch off the appliance (Fig. 25).
- 2 To open the filter basket holder, pull at its tab on the right side of the coffeemaker (Fig. 14).
- 3 Take a paper filter (type 1x4 or no. 4) and fold the sealed edges to prevent tearing and folding. Place the paper filter in the filter basket. (Fig. 15)
- 4 Close the filter basket holder.
- 5 Insert the flat end of the cleaning brush handle into the coffee bean chute ejector of the coffee bean chute and press it down (Fig. 27).

 **Note:**

If you want to clean the coffee bean chute quickly by brush only, please continue with step 7. If you want to prevent ground coffee traces from affecting the taste of your new coffee beans, please continue with step 6.

- 6 Press and hold the strength select button for 4 seconds (Fig. 28).
 - *The grinder starts cleaning itself.*
- 7 When the grinder has stopped cleaning, use the cleaning brush to brush ground coffee residues into the lower part of the chute (Fig. 29).
 - *The ground coffee residues fall into the filter basket.*

 **Warning:**

Do not drop the brush in the coffee bean chute.

- 8 Close the lid of the coffee bean chute.
- 9 Remove the paper filter with the ground coffee residues and throw it away.

6.3 Descaling the coffeemaker

Descale the coffeemaker when you notice excessive steaming or when the brewing time increases. It is advisable to descale it every two months. Only use white vinegar to descale, as other products may cause damage to the coffeemaker.

 **Warning:**

Never use vinegar with an acetic acid content of 8% or more, natural vinegar, powder descalers or tablet descalers to descale the appliance, as this may cause damage.

- 1 Open the water reservoir lid.
- 2 Fill the water reservoir with 8 cups of white vinegar (4% acetic acid) and 2 cups of water (Fig. 6).
- 3 Place a paper filter (no. 4) in the filter basket and close the filter basket holder (Fig. 15).
- 4 Put the empty jug in the appliance (Fig. 7).
- 5 Put the mains plug in the wall socket.
- 6 Press the on/off button on the front of the appliance to switch on the appliance (Fig. 8).
 - *The display lights up.*

- 7 Press the strength select button and turn the knob to choose the pre-ground coffee setting (Fig. 10).
- 8 Press in the centre of the knob to confirm. Then press in the centre of the knob again to start the brewing process (Fig. 11).
- 9 Wait until half of the vinegar-water solution has flowed into the jug. Then press the on/off button to stop the brewing process and let the solution act for at least 15 minutes (Fig. 30).
- 10 Press the on/off button to switch the coffeemaker back on (Fig. 8).
- 11 Press in the centre of the knob twice to let the appliance complete the brewing process (Fig. 19).
- 12 Empty the jug and throw away the paper filter.
- 13 Fill the water reservoir with cold water and press in the centre of the knob twice to start another brewing process. Let the coffeemaker complete the entire brewing process and empty the jug.
- 14 Repeat step 13 until the water no longer tastes or smells like vinegar.
- 15 Clean the filter basket and the jug in the dishwasher or with hot water and some washing-up liquid.
- 16 Press the on/off button on the front of the appliance to switch off the appliance.

7 Ordering accessories

To buy accessories or spare parts, visit www.shop.philips.com/service or go to your Philips dealer. You can also contact the Philips Consumer Care Centre in your country (see the worldwide guarantee leaflet for contact details).

8 Recycling

- This symbol on a product means that the product is covered by European Directive 2012/19/EU. Inform yourself about the local separate collection system for electrical and electronic products. Follow local rules and never dispose of the product with normal household waste. Correct disposal of old products helps prevent negative consequences for the environment and human health (Fig. 31).

9 Guarantee and support

If you need information or support, please visit www.philips.com/support or read the separate worldwide guarantee leaflet.

10 Troubleshooting

This chapter summarises the most common problems you could encounter with the appliance. If you are unable to solve the problem with the information below, visit www.philips.com/support for a list of frequently asked questions or contact the Consumer Care Centre in your country.

The appliance does not work.

- Put the mains plug in the wall socket and press the on/off button on the front of the appliance to switch on the appliance.
- Make sure that the voltage indicated on the appliance corresponds to the local mains voltage.
- Fill the water reservoir with water.
- Close the lid of the coffee bean chute.

When I use the grinder, the coffee is too weak.

- Make sure the number of cups you select with the 2-10 cups button is consistent with the amount of water in the water reservoir. Please keep in mind that the coffeemaker uses all the water in the water reservoir.
- Use the strength select button to set the coffee strength to 'strong'.
- When you use coffee beans, make sure you do not press the pre-ground coffee button, as this switches off the grinder.
- Use coffee beans of a stronger blend or flavour.
- Make sure the selected number of cups is consistent with the amount of water in the water reservoir.

When I use pre-ground coffee, the coffee is too weak.

- Make sure the amount of pre-ground coffee in the filter is consistent with the amount of water in the water reservoir. Please keep in mind that the appliance uses all the water in the water reservoir.
- Use ground coffee of a stronger blend or flavour.
- To increase the coffee strength, increase the amount of pre-ground coffee or decrease the amount of water.

The filter overflows when I remove the jug from the appliance while it is brewing coffee.

- If you remove the jug for more than 20 seconds during the brewing process, the drip stop causes the filter basket to overflow. Also note that the coffee does not reach its full taste before the end of the brewing process. Therefore we advise you not to remove the jug and pour out the coffee before the end of the brewing process.

The appliance continues to drip long after the brewing process has ended.

- The dripping is caused by condensation of steam. It is completely normal that the appliance drips for some time.
- If the dripping does not stop, the drip stop may be clogged. To clean the drip stop, pull at the tab of the filter basket holder on the right side of the coffeemaker to open the holder. Take out the filter basket. Then rinse the filter basket and the drip stop under the tap.
- If you remove the jug for more than 20 seconds during the brewing process, the drip stop causes the filter basket to overflow.

The coffee is not hot enough.

- Preheat the jug with hot water before you start brewing coffee.
- The coffee in the jug cools down faster if you brew only a few cups. The coffee stays hot longer if you brew 10 cups, which is a full jug.
- Use thin-walled cups, because they absorb less heat from the coffee than thick-walled cups.
- Do not use milk that comes directly out of the fridge.
- Descale the appliance. See section 'Descaling the coffeemaker' in chapter 'Cleaning and maintenance'.

The appliance does not start cleaning the coffee bean chute.

- Make sure the appliance is connected to the mains.
- Make sure the lid of the coffee bean chute is opened before pressing and holding the strength select button for 4 seconds.
- Press and hold the strength select button for 4 seconds until the grinder starts cleaning itself.

The appliance works but makes a beeping sound.

- Please check if the lid of the coffee bean chute is properly closed.

The coffee beans seem to be used up quickly.

- It may look as if the coffee beans are used up quickly. To ensure a perfect cup of coffee, a certain amount of ground coffee is required. The amount of coffee beans the appliance uses to get the perfect amount of ground coffee is normal.

1 Introduktion

Tillykke med dit køb og velkommen til Philips!
For at få fuldt udbytte af den support,
Philips tilbyder, skal du registrere dit produkt på
www.philips.com/welcome.

2 Generel beskrivelse (fig. 1)

- 1 Filterkurv
- 2 Holder til filterkurv
- 3 Vandstandsindikator
- 4 Låg til vandtank
- 5 Låg til beholder til bønner
- 6 Beholdervælger
- 7 Knap til formalingsgrad
- 8 Dobbeltbeholder til kaffebønner
- 9 Låg til kaffebønnesliske
- 10 Kaffebønnesliskeejektor
- 11 Vandpåfyldningshul
- 12 Display
 - A Ikon for formalet kaffe
 - B Antal kopper
 - C Ikon for kaffekop
 - D Ikon med kaffebønne for valg af kaffestyrke
 - E Knap til valg af kaffestyrke
 - F Timer-knap
 - G Timeangivelse
 - H Minutangivelse
 - I Ikon for timer
- 13 On/off-knap
- 14 Låg til glaskande
- 15 Glaskande
- 16 Rensebørste

3 Vigtigt

Læs denne brugsvejledning omhyggeligt igennem, inden apparatet tages i brug, og gem den til eventuelt senere brug.

3.1 Fare

- Apparatet må aldrig kommes ned i vand eller andre væsker eller skylles under vandhanen.

3.2 Advarsel

- Kontrollér, om spændingsangivelsen i bunden af apparatet svarer til den lokale netspænding, før du slutter strøm til apparatet.
- Hvis netledningen beskadiges, må den kun udskiftes af Philips, et autoriseret Philips-serviceværksted eller en tilsvarende kvalificeret fagmand for at undgå enhver risiko.
- Dette apparat kan bruges af børn fra 8 år og opefter og personer med reducerede fysiske, sensoriske eller mentale evner eller manglende erfaring og viden, hvis de er blevet instrueret i sikker brug af apparatet og forstår de medfølgende risici. Rengøring og brugervedligeholdelse må ikke foretages af børn, medmindre de er ældre end 8 og er under opsyn. Hold apparatet og dets ledning uden for rækkevidde af børn under 8 år.
- Lad ikke børn lege med apparatet.

- Lad aldrig ledningen hænge ud over kanten af det bord eller den plads, som apparatet står på.
- Undgå at røre ved slutskiverne til formaling på apparatet, især når apparatet er tilsluttet en stikkontakt.
- Hold emballagen (plastikposer, pap, karton osv.) uden for børns rækkevidde. Det er ikke legetøj.
- Rør aldrig ved apparatets varme dele under betjening.
- Dette apparat er designet til at male bønner og lave kaffe. Brug det korrekt og med omhu for at undgå skoldning fra varmt vand og damp.
- Tøm ikke vandtanken ved at vippe apparatet, da det kan beskadige apparatet. Tøm kun vandtanken i overensstemmelse med vejledningen.
- Brug aldrig apparatet, hvis netstik, netledning eller selve apparatet er beskadiget.
- Hvis der opstår problemer, du ikke kan løse ved hjælp af brugsvejledningen, bedes du kontakte det lokale Philips Kundecenter. Hvis ikke problemet kan løses, skal du medbringe apparatet til et autoriseret Philips-serviceværksted, så de kan undersøge eller reparere det. Forsøg aldrig selv at reparere apparatet, da reklamationsretten i så fald bortfalder.

3.3 Forsigtig

- Stil aldrig apparatet på et varmt underlag, og sørg for, at netledningen ikke kommer i berøring med varme flader.
- Tag stikket ud af stikkontakten, hvis der opstår problemer under formaling eller brygning samt før rengøring af apparatet.
- Flyt ikke apparatet under brug.
- Apparatet bliver varmt under brug. Lad apparatet køle af, før du stiller det væk.
- Den nederste del af maskinen og kandens bund bliver varm under kaffebrygningen.
- Efter udpakningen af apparatet skal du kontrollere, at det er helt og ubeskadiget. Anvend ikke apparatet, hvis du er i tvivl. Du bedes i stedet kontakte det lokale Philips Kundecenter.
- Dette apparat er kun beregnet til normal anvendelse i hjemmet. Det er ikke beregnet til brug i miljøer som personalekøkkener i butikker, på kontorer, på gårde eller andre arbejdspladser. Det er heller ikke beregnet til brug af gæster på hoteller, moteller, på bed and breakfasts eller i andre værelser til udlejning.

3.4 Elektromagnetiske felter (EMF)

Dette Philips-apparat overholder alle branchens gældende standarder og regler angående eksponering for elektromagnetiske felter.

4 Før apparatet tages i brug

4.1 Indstilling af uret

- 1 Sæt stikket i en stikkontakt.
 - *00:00 lyser på displayet for at indikere, at du skal indstille klokkeslættet.*
- 2 Drej på knappen for at indstille timetallet (fig. 2).
- 3 Tryk midt på knappen for at bekræfte timetallet (fig. 3).
 - *Minuttallet begynder at blinke for at indikere, at du skal indstille antal minutter.*
- 4 Drej på knappen for at indstille minuttallet (fig. 4).
- 5 Tryk midt på knappen for at bekræfte minuttallet (fig. 5).
- 6 Displayet viser klokkeslættet. Kaffemaskinen er klar til brug.

4.2 Indstilling af automatisk slukketid

Du kan ændre tidsrummet, hvorefter apparatet slukker automatisk. Standardtidsrummet er indstillet til 30 minutter. Du kan ændre dette tidsrum til maks. 120 minutter. Hvis du ønsker at justere den automatiske slukketid, skal du følge nedenstående trin.

- 1 Kontrollér, at apparatet er slukket (men stikket er sat i stikkontakten).
- 2 Tryk og hold nede midt på knappen, indtil displayet begynder at blinke.
- 3 Drej knappen for at øge eller mindske tidsrummet. 1 er 10 minutter; 2 er 20 minutter; 3 er 30 minutter og så videre, indtil 12 er 120 minutter.
- 4 Tryk midt på knappen for at bekræfte minuttallet.

Bemærk:

Apparatet gemmer altid den sidste indstilling.

4.3 Gennemskylning

Du skal gennemskylle kaffemaskinen før første brug.

- 1 Åbn låget til vandtanken. Fyld vandtanken med friskt, koldt vand **op til markering for 8 kopper**. (fig. 6)

Bemærk:

Put ikke kaffebønner eller malet kaffe i apparatet.

- 2 Luk låget til vandtanken.
- 3 Sæt kanden i apparatet (fig. 7).
- 4 Tryk på on/off-knappen (fig. 8).
 - *Displayet lyser.*
- 5 Tryk på knappen til valg af kaffestyrke (fig. 9).
- 6 Drej knappen for at vælge indstillingen til formaling af kaffe (fig. 10).
 - *Ikonet for formaling af kaffe lyser.*
- 7 Tryk midt på knappen for at bekræfte. Tryk derefter midt på knappen igen for at starte skylningen (fig. 11).
- 8 Lad apparatet køre, indtil skylningen er afsluttet.
- 9 Tøm kanden.

5 Sådan bruges apparatet

5.1 Påfyldning af vandtanken

- 1 Åbn låget til vandtanken, og fyld vandtanken med den påkrævede mængde koldt vand. (fig. 6)
Når du åbner låget til vandtanken, er der markeringer for 2 til 10 kopper på indersiden af apparatet. Du kan bruge disse markeringer til at bestemme, hvor meget vand du vil putte i vandtanken. Refleksionen skifter fra lys til mørk pr. fyldt kop vand. Du kan også bruge vandstandsindikatoren på kanden.

Bemærk:

Fyld aldrig vandtanken til op over mærket for 10 kopper.

5.2 Brug af kaffebønner

Advarsel:

Hold altid låget til vandtanken lukket, når du fylder beholderen til kaffebønner med kaffebønner. Ellers kan kaffebønnerne falde ned i vandtanken og blokere for vandintaget.

- 1 Fjern låget til kaffebønnebeholderen. (fig. 12)
- 2 Fyld dobbeltbeholderen med kaffebønner. Du kan fylde dobbeltbeholderen med to forskellige slags kaffebønner. Sørg for, at der er nok kaffebønner i beholderen til den mængde kaffe, du vil brygge (fig. 13).

Bemærk:

Sørg altid for, at beholderen til kaffebønner er mindst halvt fuld.

Advarsel:

For at undgå, at kaffekværnen tilstoppes, må du ikke bruge uristede eller karamelliserede bønner. Vi anbefaler, at du bruger kaffebønner i stedet for espressobønner, da dette kan beskadige den.

- 3 For at åbne holderen til filterkurven skal du trække i tappen på højre side af kaffemaskinen (fig. 14).
- 4 Tag et papirfilter (type 1x4 eller nr. 4), og ombuk de forseglede kanter; så det ikke går i stykker eller falder sammen. Placer papirfilteret i filterkurven. (fig. 15)
- 5 Luk holderen til filterkurven.
- 6 Sæt kanden i apparatet. (fig. 7)
- 7 Drej på knappen til formalingsgrad for at vælge den ønskede type maling (fra fin til grov). (fig. 16)

Tip:

Knappen til formalingsgrad giver dig mulighed for at vælge mellem ni forskellige indstillinger. Vi har forudvalgt 3 optimale indstillinger; men du kan også vælge alle indstillinger mellem ikonerne. Vi anbefaler, at du eksperimenterer med forskellige malingsindstillinger for at finde ud af, hvilken indstilling, du foretrækker.

- 8 Drej beholdervælgeren for at vælge mellem de to slags kaffebønner (fig. 17).

Advarsel:

Når du skifter mellem kaffebønnebeholderne eller kaffebønnerne, vil der altid være rester af kaffe tilbage fra den tidligere malede kaffebønnetype. For at undgå dette bør du rengøre kaffebønneslisken, når du har skiftet til en ny type kaffebønner.

Bemærk:

Afhængigt af din smag kan du enten vælge en af de to typer kaffebønner eller en blanding af begge typer.

- 9 Tryk på tænd/sluk-knappen foran på apparatet (fig. 8).
 - *Antallet af kopper begynder at blinke.*
- 10 Du vælger antallet af kopper ved at dreje knappen, indtil det ønskede antal kopper vises på skærmen (fig. 18).

Bemærk:

Sørg for, at det antal kopper, du vælger med knappen 2-10 CUPS, passer med mængden af vand i vandtanken. Husk på, at kaffemaskinen bruger alt vandet i vandtanken. Hvis du vælger et antal kopper, der er mindre end mængden af vand, bliver kaffen tyndere end beregnet.

- 11 Tryk midt på knappen for at bekræfte antal kopper.
- 12 Tryk på knappen til valg af kaffestyrke. (fig. 9)
 - *Ikonet for kaffebønner begynder at blinke.*
- 13 Drej knappen for at vælge den ønskede kaffestyrke (mild: 1x bønner, middel: 2x bønner eller kraftig: 3x bønner) (fig. 10).
 - *Displayet viser den valgte kaffestyrke.*

Tip:

Vi anbefaler, at du eksperimenterer med mængden af vand for at finde ud af din foretrukne styrke. Hvis du vælger et antal kopper, som er højere end mængden af vand, bliver kaffen stærkere. Hvis du vælger et antal kopper, der er mindre end mængden af vand, bliver kaffen svagere.

- 14 Tryk midt på knappen for at bekræfte.
Tryk derefter midt på knappen igen for at starte brygningen (fig. 19).
 - *Kværnen mæler den påkrævede mængde kaffebønner.*
- 15 Vent, indtil kaffemaskinen er stoppet med at brygge, inden du fjerner kanden.

Bemærk:

Efter brygningen drypper der kaffe fra filterkurven i flere sekunder.

5.3 Brug af formalet kaffe

Hvis du vil bruge formalet kaffe i stedet for kaffebønner, skal du følge nedenstående trin.

- 1 Åbn låget til vandtanken, og fyld vandtanken med den påkrævede mængde koldt vand. (fig. 6)
- 2 For at åbne holderen til filterkurven skal du trække i tappen på højre side af kaffemaskinen (fig. 14).
- 3 Tag et papirfilter (type 1x4 eller nr. 4), og ombuk de forseglede kanter, så det ikke går i stykker eller falder sammen. Placer papirfilteret i filterkurven (fig. 15).
- 4 Put formalet kaffe i papirfiltret.

Bemærk:

Du kan regulere kaffestyrken, så den passer til din egen personlige smag. Ønsker du en kop kaffe af mellemstyrke, skal du bruge én måleske (ca. 6 g) med malet kaffe pr. kop (120 ml). For at få en stærkere kop kaffe, skal du bruge 1,5 måleske med malet kaffe pr. kop.

- 5 Luk holderen til filterkurven.
- 6 Sæt kanden i apparatet (fig. 7).
- 7 Tryk på on/off-knappen (fig. 8).
 - *Displayet lyser.*
- 8 Tryk på knappen til valg af kaffestyrke (fig. 9).
- 9 Drej knappen for at vælge indstillingen til formaling af kaffe (fig. 10).
 - *Ikonet for formaling af kaffe lyser.*
- 10 Tryk midt på knappen for at bekræfte.
Tryk derefter midt på knappen igen for at starte brygningen (fig. 11).

- 11 Vent, indtil kaffemaskinen er stoppet med at brygge, inden du fjerner kanden.

Bemærk:

Efter brygningen drypper der kaffe fra filterkurven i flere sekunder.

5.4 Indstilling af timeren

Timeren gør det muligt at programmere det tidspunkt, hvor brygningen skal starte. Sørg for, at alle kaffebrygningstrin er taget med enten formalet kaffe eller kaffebønner, før du indstiller timeren.

- 1 Tryk på timer-knappen. (fig. 20)
 - *På displayet blinker 00:00 for at angive, at du skal indstille timeren.*
- 2 Drej på knappen for at indstille timetallet (fig. 21).
- 3 Tryk midt på knappen for at bekræfte timetallet (fig. 22).
 - *Minuttallet begynder at blinke for at indikere, at du skal indstille antal minutter.*
- 4 Drej på knappen for at indstille minuttallet (fig. 23).
- 5 Tryk midt på knappen for at bekræfte minuttallet (fig. 24).
 - *Timeren er indstillet, og brygningen starter på det angivne tidspunkt.*

5.5 Drypstop-funktion

Drypstop-funktionen gør det muligt at fjerne kanden fra kaffemaskinen, inden bryggeprocessen er færdig. Når du fjerner kanden, stopper drypstop-funktionen kaffens løb ned i kanden.

Bemærk:

Brygningen stopper ikke, når du fjerner kanden. Hvis du ikke stiller kanden tilbage i apparatet inden for 20 sekunder, flyder filterkurven over.

6 Rengøring og vedligeholdelse

6.1 Rengøring efter hver brug

Advarsel:

Apparatet må aldrig kommes ned i vand eller andre væsker eller skylles under vandhanen.

- 1 Tryk på tænd/sluk-knappen foran på apparatet for at slukke for apparatet. (fig. 25)
- 2 Tag stikket ud af stikkontakten.
- 3 Tør kaffemaskinens yderside af med en fugtig klud (fig. 26).
- 4 Rengør filterkurven og kanden i opvaskemaskinen eller med varmt vand og noget opvaskemiddel.

6.2 Rengøring af kaffebønneslisen

Når du skifter mellem beholderne til kaffebønner eller mellem kaffebønner, vil der altid være rester af den tidligere maledede kaffebønnetype, der kan påvirke smagen af din kaffe. Rengør kaffebønneslisen for hver 1-2 uger; eller når du skifter mellem beholderne til kaffebønner, for at undgå, at friskkværnet kaffe og rester i kaffebønneslisen blandes sammen. Når du skifter til en ny type kaffebønner, bør du følge nedenstående trin for at sikre optimal smag.

- 1 Tryk på tænd/sluk-knappen foran på apparatet for at slukke for apparatet (fig. 25).
- 2 For at åbne holderen til filterkurven skal du trække i tappen på højre side af kaffemaskinen (fig. 14).
- 3 Tag et papirfilter (type 1x4 eller nr. 4), og ombuk de forseglede kanter, så det ikke går i stykker eller falder sammen. Placer papirfilteret i filterkurven. (fig. 15)
- 4 Luk holderen til filterkurven.
- 5 Isæt den flade ende af rengøringsbørstens greb i kaffebønnesliskejektoren, og tryk den ned (fig. 27).

Bemærk:

Hvis du vil rengøre kaffebønneslisen hurtigt kun med børsten, skal du fortsætte med trin 7. Hvis du vil undgå, at smagsstoffer fra formalet kaffe påvirker smagen af dine nye kaffebønner, skal du fortsætte med trin 6.

- 6 Tryk på knappen for valg af kaffestyrke, og hold den nede i 4 sekunder (fig. 28).
 - *Kværnen begynder at rengøre sig selv.*
- 7 Når kværnen har stoppet rengøringsprocessen, skal du bruge rengøringsbørsten til at børste rester af malet kaffe ned i nederste del af slisen (fig. 29).
 - *De maledede kafferester falder ned i filterkurven.*

Advarsel:

Undgå at tabe børsten ned i kaffebønneslisen.

- 8 Luk låget til kaffebønneslisen.
- 9 Fjern papirfilteret med de maledede kafferester, og smid det væk.

6.3 Afkalkning af kaffemaskine

Afkalk kaffemaskinen, hvis der kommer meget damp ud, eller hvis bryggetiden forlænges. Det anbefales at afkalke maskinen hver anden måned. Brug kun hvid eddike til at afkalke, da andre produkter kan beskadige kaffemaskinen.

Advarsel:

Brug aldrig eddike med et indhold af eddikesyre på 8 % eller mere, naturlig vineddike eller afkalkningsmidler i pulver eller tabletform til at afkalke apparatet, da dette kan medføre skader.

- 1 Åbn låget til vandtanken.
- 2 Fyld vandtanken med 8 kopper hvid eddike (4% eddikesyre) og 2 kopper vand (fig. 6).
- 3 Placer et papirfilter (nr. 4) i filterkurven, og luk holderen til filterkurven (fig. 15).
- 4 Sæt den tomme kande i apparatet (fig. 7).
- 5 Sæt stikket i en stikkontakt.
- 6 Tryk på tænd/sluk-knappen foran på apparatet for at tænde for apparatet (fig. 8).
 - *Displayet lyser.*

-
- 7** Tryk på knappen til valg af kaffestyrke, og drej knappen for at vælge indstillingen til formling af kaffe (fig. 10).
 - 8** Tryk midt på knappen for at bekræfte. Tryk derefter midt på knappen igen for at starte brygningen (fig. 11).
 - 9** Vent, indtil halvdelen af opløsningen af eddike og vand er løbet ned i kanden. Tryk derefter på tænd/sluk-knappen for at stoppe brygningen, og lad opløsningen trække i mindst 15 minutter (fig. 30).
 - 10** Tryk på tænd/sluk-knappen for at tænde for kaffemaskinen igen (fig. 8).
 - 11** Tryk to gange midt på knappen for at lade apparatet gennemføre brygningen (fig. 19).
 - 12** Tøm kanden, og smid papirfiltret ud.
 - 13** Fyld vandtanken med koldt vand, og tryk to gange midt på knappen for at starte en ny brygning. Lad kaffemaskinen gennemføre hele brygningen, og tøm kanden.
 - 14** Gentag trin 13, indtil vandet ikke længere smager eller lugter af eddike.
 - 15** Rengør filterkurven og kanden i opvaskemaskinen eller med varmt vand og noget opvaskemiddel.
 - 16** Tryk på tænd/sluk-knappen foran på apparatet for at slukke for apparatet.

7 Bestilling af tilbehør

For at købe tilbehør eller reservedele kan du besøge www.shop.philips.com/service eller gå til din Philips-forhandler. Du kan også kontakte det lokale Philips Kundecenter i dit land (se folderen "World-Wide Guarantee" for at få kontaktoplysninger).

8 Genanvendelse

- Dette symbol på et produkt betyder, at produktet er omfattet af EU-direktivet 2012/19/EU. Hold dig orienteret om systemet for særskilt indsamling af elektriske og elektroniske produkter. Følg lokale regler, og bortskaf aldrig produktet sammen med almindeligt husholdningsaffald. Korrekt bortskaffelse af udtjente produkter er med til at forhindre negativ påvirkning af miljøet og menneskers helbred (fig. 31).

9 Reklamationsret og support

Hvis du brug for hjælp eller support, bedes du besøge www.philips.com/support eller læse i den separate folder "World-Wide Guarantee".

10 Fejlfinding

Dette kapitel opsummerer de mest almindelige problemer, der kan forekomme ved brug af apparatet. Har du brug for yderligere hjælp og vejledning, så besøg www.philips.com/support for at se en liste over ofte stillede spørgsmål, eller du kan kontakte dit lokale Philips Kundecenter.

Apparatet fungerer ikke.

- Sæt stikket i en stikkontakt, og tryk på on/off-knappen på forsiden af apparatet for at tænde for det.
- Kontroller, at den angivne netspænding på apparatet svarer til den lokale netspænding.
- Fyld vandtanken med vand.
- Luk låget til kaffebønneslisen.

Når jeg bruger kværnen, smager kaffen for svagt.

- Sørg for, at det antal kopper, du vælger med knappen til 2-10 kopper, passer med mængden af vand i vandtanken. Husk på, at kaffemaskinen bruger alt vandet i vandtanken.
- Brug knappen til valg af kaffestyrke til at indstille kaffens styrke til "strong" (stærk).
- Når du bruger kaffebønner, skal du sørge for, at du ikke trykker på knappen til formling af kaffe, da det slukker for kværnen.
- Brug kaffebønner med en stærkere blanding eller smag.
- Sørg for, at det valgte antal kopper passer med mængden af vand i vandtanken.

Når jeg bruger formalet kaffe, er kaffens styrke for svag.

- Sørg for, at mængden af formalet kaffe i filteret passer med mængden af vand i vandtanken. Husk på, at apparatet bruger alt vandet i vandtanken.
- Brug malet kaffe med en stærkere blanding eller smag.
- For at øge kaffens styrke, skal du øge mængden af formalet kaffe eller reducere mængden af vand.

Filteret flyder over, når jeg fjerner kanden fra apparatet, mens det brygger kaffe.

- Hvis du fjerner kanden i mere end 20 sekunder under brygningen, får drypstoppet filterkurven til at løbe over. Vær også opmærksom på, at kaffen ikke opnår sin fulde smag, før brygningen er fuldført. Vi fraråder derfor, at du fjerner kanden og skænker kaffen, før brygningen er afsluttet.

Apparatet fortsætter med at dryppe et stykke tid efter endt brygning.

- Det skyldes kondensering af damp. Det er helt normalt, at apparatet drypper et stykke tid.
- Hvis kaffemaskinen ikke stopper med at dryppe, kan drypstop-funktionen være tilstoppet. Rengør drypstoppet ved at trække i tappen på holderen til filterkurven på højre side af kaffemaskinen for at åbne holderen. Tag filterkurven ud. Skyl derefter filterkurven og drypstoppet under vandhanen.

- Hvis du fjerner kanden i mere end 20 sekunder under brygningen, får drypstoppet filterkurven til at løbe over.

Kaffen er ikke tilstrækkelig varm.

- Forvarm kanden med varmt vand, før du starter brygningen.
- Kaffen i kanden mister hurtigere varmen, hvis du kun brygger nogle få kopper. Kaffen bevarer varmen længere, hvis du brygger 10 kopper, så kanden er fyldt.
- Brug tynde kopper, fordi de absorberer mindre varme fra kaffen end tykke kopper.
- Brug ikke mælk, der kommer direkte fra køleskabet.
- Afkalk apparatet. Se "Afkalkning af kaffemaskinen" i afsnittet "Rengøring og vedligeholdelse".

Apparatet starter ikke rengøring af kaffebønneslisen.

- Sørg for, at apparatet er sluttet til stikkontakten.
- Sørg for, at låget til kaffebønneslisen åbnes, inden du trykker på og holder knappen til valg af kaffestyrke nede i 4 sekunder.
- Tryk og hold knappen til valg af kaffestyrke nede i 4 sekunder, indtil kværnen begynder at rengøre sig selv.

Apparatet virker, men udsender en biplyd.

- Kontrollér, om låget til kaffebønneslisen er lukket ordentligt.

Det lader til, at kaffebønnerne hurtigt er brugt op.

- Det kan godt se ud til, at kaffebønnerne hurtigt er brugt op. For at få en perfekt kop kaffe er en vis mængde formalet kaffe påkrævet. Den mængde kaffebønner, apparatet bruger for at få den perfekte mængde formalet kaffe, er normal.

1 Johdanto

Onnittelut ostoksestasi ja tervetuloa Philips-tuotteiden käyttäjäksi! Hyödynnä Philipsin tuki ja rekisteröi tuotteesi osoitteessa www.philips.com/welcome.

2 Yleiskuvaus (Kuva 1)

- 1 Suodatinkori
- 2 Suodatinkorin teline
- 3 Vesimäärän ilmaisin
- 4 Vesisäiliön kansi
- 5 Papusäiliön kansi
- 6 Säiliönvalitsin
- 7 Jauhatuksen säätönuppi
- 8 Kaksiosainen papusäiliö
- 9 Kahvipapukuilun kansi
- 10 Kahvipapukuilun avaaja
- 11 Vedentäyttöaukko
- 12 Näyttö
 - A Valmiiksi jauhetun kahvin kuvake
 - B Kuppien määrä
 - C Kahvikupin kuvake
 - D Kahvin vahvuuden kahvipapukuvake
 - E Kahvin vahvuuden valintapainike
 - F Ajastinpainike
 - G Tunnin ilmaisin
 - H Minuutin ilmaisin
 - I Ajastinkuvake
- 13 Virtapainike
- 14 Lasikannun kansi
- 15 Lasikannu
- 16 Puhdistusharja

3 Tärkeää

Lue tämä käyttöopas huolellisesti ennen käyttöä ja säilytä se myöhempää tarvetta varten.

3.1 Vaara

- Älä upota laitetta veteen tai muuhun nesteeseen. Älä myöskään huuhtele sitä vesihanalla.

3.2 Varoitus

- Tarkista, että laitteen pohjassa oleva jännitemerkintä vastaa paikallista verkkojännitettä, ennen kuin liität laitteen sähköverkkoon.
- Jos virtajohto on vahingoittunut, se on oman turvallisuutesi vuoksi hyvä vaihdattaa Philipsin valtuuttamassa huoltoliikkeessä tai muulla ammattitaitoisella korjaajalla.
- Laitetta voivat käyttää yli 8-vuotiaat lapset ja henkilöt, joiden fyysinen tai henkinen toimintakyky on rajoittunut tai joilla ei ole kokemusta tai tietoa laitteen käytöstä, jos heitä on neuvottu laitteen turvallisesta käytöstä tai tarjolla on turvallisen käytön edellyttämä valvonta ja jos he ymmärtävät laitteeseen liittyvät vaarat. Alle 8-vuotiaat eivät saa puhdistaa tai huoltaa laitetta ilman valvontaa.
- Lasten ei pidä leikkiä laitteella.
- Älä jätä virtajohtoa roikkumaan sen pöydän tai työtason reunan yli, jonka päällä laite on.

- Älä koske laitteen jauhimiin, kun laite on liitetty pistorasiaan.
- Laitteen pakkausmateriaalit (kuten muovipussit ja pahvipakkaukset) eivät ole leikkikaluja. Pidä ne poissa lasten ulottuvilta.
- Älä koske kuumiin pintoihin laitteen ollessa päällä.
- Laite on tarkoitettu kahvipapujen jauhatukseen ja kahvin valmistukseen. Ole varovainen käyttäessäsi laitetta, sillä kuuma vesi ja höyry voivat aiheuttaa palovammoja.
- Älä tyhjennä vesisäiliötä kallistamalla laitetta, koska se voi vahingoittaa laitetta. Tyhjennä vesisäiliö laitteen mukana tulleen ohjeen mukaisesti.
- Älä käytä laitetta, jos pistoke, johto tai itse laite on vaurioitunut.
- Jos et voi ratkaista ongelmatilannetta tämän käyttöohjeen ohjeiden avulla, ota yhteyttä Philipsin kuluttajapalvelukeskukseen. Jos ongelmaa ei voi ratkaista, toimita laite tutkittavaksi tai korjattavaksi Philipsin valtuuttamaan huoltoliikkeeseen. Jos yrität korjata laitetta itse, sen takuu mitätöityy.

3.3 Varoitus

- Älä aseta laitetta kuumalle alustalle ja pidä huoli, ettei virtajohto kosketa mitään kuumaa pintaa.
- Irrota pistoke pistorasiasta ennen laitteen puhdistamista tai jos suodatuksen tai jauhamisen aikana ilmenee ongelmia.
- Älä siirrä laitetta käytön aikana.
- Laite kuumenee käytön aikana. Anna laitteen jäähtyä, ennen kuin asetat sen säilytykseen.
- Laitteen alaosa ja kannun pohja kuumenevat kahvin valmistuksen aikana.
- Kun olet poistanut laitteen pakkauksesta, varmista, että laite on ehjä ja kaikki osat ovat tallella. Jos et ole varma laitteen toiminnasta, älä käytä laitetta, vaan ota yhteyttä Philipsin kuluttajapalvelukeskukseen.
- Tämä laite on tarkoitettu vain tavalliseen kotitalouskäyttöön. Sitä ei ole tarkoitettu käytettäväksi henkilökuntaruokaloissa, myymälöissä, toimistoissa, maataloilla tai muissa työympäristöissä. Sitä ei ole myöskään tarkoitettu hotellien tai muiden majoitusliikkeiden vieraiden käyttöön.

3.4 Sähkömagneettiset kentät (EMF)

Tämä Philips-laite vastaa kaikkia sähkömagneettisia kenttiä (EMF) koskevia standardeja ja säännöksiä.

4 Käyttöönotto

4.1 Kellonajan asettaminen

- 1 Työnä pistoke pistorasiaan.
 - **Näytössä vilkkuu luku 00:00 osoituksena siitä, että kellonaika on asetettava.**
- 2 Aseta tunti kiertämällä säädintä (Kuva 2).
- 3 Vahvista tuntiasetus painamalla säätimen keskiosaa (Kuva 3).
 - **Minuutit alkavat vilkkua osoitukseksi siitä, että minuutit on asetettava.**
- 4 Aseta minuutit kiertämällä säädintä (Kuva 4).
- 5 Vahvista minuuttiasetus painamalla nupin keskiosaa (Kuva 5).
- 6 Näytössä näkyy määritetty kellonaika. Kahvinkeitin on käyttövalmis.

4.2 Automaattisen sammutusajan asettaminen

Voit säätää aikaa, jonka kuluttua laitteen virta katkeaa automaattisesti. Oletusaika on asetettu 30 minuuttiin. Voit säätää tämän ajan enintään 120 minuuttiin. Jos haluat säätää automaattisen sammutuksen ajan, seuraa alla olevia ohjeita.

- 1 Varmista, että laitteen virta on katkaistu (mutta virtajohto on kytketty pistorasiaan).
- 2 Pidä säädintä painettuna, kunnes näyttö alkaa vilkkua.
- 3 Lisää tai vähennä aikaa kääntämällä säädintä. 1 on 10 minuuttia, 2 on 20 minuuttia, 3 on 30 minuuttia ja niin edelleen, kunnes 12 on 120 minuuttia.
- 4 Vahvista minuuttiasetus painamalla nupin keskiosaa.

Huomautus:

Laitte tallentaa aina viimeisimmän asetuksen.

4.3 Laitteen huuhtelu

Huuhtele kahvinkeitin ennen ensimmäistä käyttöä.

- 1 Avaa vesisäiliön kansi. Täytä vesisäiliö raikkaalla, kylmällä vedellä **enintään 8 kupin merkkiin asti (Kuva 6).**

Huomautus:

Älä aseta kahvipapuja tai kahvijauhetta laitteeseen.

- 2 Sulje vesisäiliön kansi.
- 3 Aseta kannu laitteeseen (Kuva 7).
- 4 Paina käynnistuspainiketta (Kuva 8).
 - **Näytön merkivalot syttyvät.**
- 5 Paina kahvin vahvuuden valintapainiketta (Kuva 9).
- 6 Valitse valmiiksi jauhetun kahvin asetus kiertämällä säädintä (Kuva 10).
 - **Valmiiksi jauhetun kahvin kuvake näkyy näytössä.**
- 7 Vahvista valinta painamalla säätimen keskiosaa. Aloita sitten huuhtelu painamalla säädintä uudelleen (Kuva 11).
- 8 Jätä laite käyntiin, kunnes huuhtelu on loppunut.
- 9 Tyhjennä kannu.

5 Käyttö

5.1 Vesisäiliön täyttäminen

- 1 Avaa vesisäiliön kansi ja kaada vesisäiliöön tarvittava määrä kylmää vettä. (Kuva 6) Kun avaat vesisäiliön kannen, näet laitteen sisällä olevat merkinnät 2–10 kupille. Voit arvioida vesisäiliöön laitettavan veden määrän käyttämällä näitä merkkejä. Heijastus muuttuu vaaleasta tummaksi jokaisen vesikupillisen kohdalla. Voit myös käyttää kannun vesimäärän ilmaisinta.

Huomautus:

Täytä vesisäiliö enintään 10 kupin merkkiin asti.

5.2 Kahvipapujen käyttö

Varoitus:

Pidä vesisäiliön kansi suljettuna, kun täytät kahvipapusailiön kahvipavuilla, jotta kahvipavut eivät putoa vesisäiliöön ja tuki vedentäyttöaukkoa.

- 1 Avaa papusailiön kansi. (Kuva 12)
- 2 Täytä kaksiosainen papusailiö kahvipavuilla. Voit käyttää kahta eri papulaatua. Varmista, että säiliössä on tarpeeksi kahvipapuja haluamasi kahvimäärän keittämiseen (Kuva 13).

Huomautus:

Varmista aina, että kahvipapusailiö on ainakin puollillaan.

Varoitus:

Älä käytä paahattamatonta kahvia tai sokeroituja papuja, jotta kahvimylly ei jumiudu. Suosittelemme käyttämään kahvipapuja espressopapujen sijaan, sillä espressopavut saattavat vahingoittaa keitintä.

- 3 Avaa suodatinkorin teline vetämällä kielekkeestä kahvinkeittimen oikealla puolella (Kuva 14).
- 4 Ota suodatinpaperi (koko 1x4 tai nro 4) ja taivuta reunat repeytymisen ja kasaan painumisen välttämiseksi. Aseta suodatinpaperi suodatintelineeseen. (Kuva 15)
- 5 Sulje suodatinkorin teline.
- 6 Aseta kannu laitteeseen. (Kuva 7)
- 7 Valitse jauhatustyyppi (hienosta karkeaan) kiertämällä jauhatuksen valintasäädintä. (Kuva 16)

Vinkki:

Jauhatuksen säätimellä voit valita yhdeksän eri asetusta. Olemme valinneet valmiiksi 3 suositeltua asetusta, mutta voit valita muitakin asetuksia kuvakkeiden välillä. Kannattaa kokeilla eri vaihtoehtoja, jotta löydät sinun makuusi sopivat asetukset.

- 8 Valitse käytettävät kahvipavut kiertämällä säiliönvalitsinta (Kuva 17).

Varoitus:

Kahvipapusailiötä tai kahvipapulajia vaihdettaessa keittimeen jää aina hieman edellistä kahvijauhetta, joka voi vaikuttaa kahvin makuun. Voit välttää makujen sekoittumisen puhdistamalla kahvipapukuilun aina, kun käytät uudentyypisiä kahvipapuja.

Huomautus:

Voit valita makusi mukaan kahden papulajin sekoituksen tai jommankumman papulajin yksinään.

- 9 Paina laitteen etupuolella olevaa virtapainiketta (Kuva 8).
 - *Kuppien määrän ilmaisimien alkuvalo vilkkuu.*
- 10 Valitse kuppien määrä kiertämällä säädintä, kunnes näytössä on haluamasi luku (Kuva 18).

Huomautus:

Varmista, että 2–10 kupin painikkeella valitsemiesi kupillisten määrä vastaa vesisäiliössä olevan veden määrää. Muista, että kahvinkeitin käyttää kaiken vesisäiliössä olevan veden. Jos valitset vähemmän kupillisia kuin vettä, kahvista tulee aiottua laihempaa.

- 11 Vahvista kuppien määrä painamalla säätimen keskiosaa.
- 12 Paina kahvin vahvuuden valintapainiketta. (Kuva 9)
 - *Kahvipapukuvakkeet alkavat vilkkuu.*
- 13 Aseta kahvin vahvuus kiertämällä säädintä (mieto: 1 papu, keskivahva: 2 papua, vahva 3 papua) (Kuva 10).
 - *Näytössä näkyvä valittu kahvin vahvuus.*

Vinkki:

Kokeilemalla erilaisia vesimäärän asetuksia saat selville, millaisesta vahvuudesta pidät. Saat vahvempaa kahvia valitsemalla veden määrää suuremman kuppien määrän. Vastaavasti kahvista tulee miedompaa, jos kuppien määrä on pienempi kuin veden määrä.

14 Vahvista valinta painamalla säätimen keskiosaa. Aloita sitten suodatus painamalla säädintä uudelleen (Kuva 19).

- *Kahvimylly jauhaa tarvittavan määrän kahvipapuja.*

15 Älä poista kannua, ennen kuin kahvinkeitin on lopettanut suodatuksen.

Huomautus:

Suodatuksen jälkeen kahvipisarointi tippuu suodatinkorista muutamien sekuntien ajan.

5.3 Valmiiksi jauhetun kahvin käyttö

Jos haluat käyttää valmista kahvijauhetta kahvipapujen sijasta, noudata seuraavia ohjeita.

- 1** Avaa vesisäiliön kansi ja kaada vesisäiliöön tarvittava määrä kylmää vettä. (Kuva 6)
- 2** Avaa suodatinkorin teline vetämällä kielekkeestä kahvinkeitimen oikealla puolella (Kuva 14).
- 3** Ota suodatinpaperi (koko 1x4 tai nro 4) ja taivuta reunat repeytymisen ja kasaan painumisen välttämiseksi. Aseta suodatinpaperi suodatintelineeseen (Kuva 15).
- 4** Annostele kahvijauhe suodatinpaperiin.

Huomautus:

Voit säätää itse kahvin vahvuutta. Saat keskivahvaa kahvia käyttämällä yhden mittalusikallisen (noin 6 g) kahvijauhetta kuppia (120 ml) kohden. Saat vahvempaa kahvia käyttämällä 1,5 mittalusikallista kuppia kohden.

- 5** Sulje suodatinkorin teline.
- 6** Aseta kannu laitteeseen (Kuva 7).
- 7** Paina käynnistuspainiketta (Kuva 8).
 - *Näytön merkkivalot syttyvät.*
- 8** Paina kahvin vahvuuden valintapainiketta (Kuva 9).
- 9** Valitse valmiiksi jauhetun kahvin asetus kiertämällä säädintä (Kuva 10).
 - *Valmiiksi jauhetun kahvin kuvake näkyy näytössä.*

10 Vahvista valinta painamalla säätimen keskiosaa. Aloita sitten suodatus painamalla säädintä uudelleen (Kuva 11).

11 Älä poista kannua, ennen kuin kahvinkeitin on lopettanut suodatuksen.

Huomautus:

Suodatuksen jälkeen kahvipisarointi tippuu suodatinkorista muutamien sekuntien ajan.

5.4 Ajan asettaminen

Ajastimella voit valita ajan, jolloin haluat kahvinsuodatuksen alkavan. Varmista, että valmiiksi jauhetusta tai kahvipavuista valmistettavan kahvin kaikki esivalmisteluvaiheet on tehty, ennen kuin asetat ajastimen.

- 1** Paina ajastinpainiketta. (Kuva 20)
 - *Näytössä vilkkuu luku 00:00 osoituksena siitä, että kellonaika on asetettava.*
- 2** Aseta tunti kiertämällä säädintä (Kuva 21).
- 3** Vahvista tuntiasetus painamalla säätimen keskiosaa (Kuva 22).
 - *Minuutit alkavat vilkkua osoitukseksi siitä, että minuutit on asetettava.*
- 4** Aseta minuutit kiertämällä säädintä (Kuva 23).
- 5** Vahvista minuuttiasetus painamalla nupin keskiosaa (Kuva 24).
 - *Ajastin on nyt asetettu, ja suodatus käynnistyy ajastettuna aikana.*

5.5 Tippalukkotoiminto

Tippalukon ansiosta voit ottaa kannun kahvinkeitimestä ennen kuin kahvi on suodatettu kokonaan. Kun otat kannun, tippalukko estää kahvia valumasta.

Huomautus:

Suodatus ei keskeydy, kun otat kannun pois. Jos et laita kannua takaisin laitteeseen 20 sekunnin kuluessa, kahvi valuu suodatinkorista yli.

6 Puhdistus ja hoito

6.1 Laitteen puhdistus jokaisen käytön jälkeen

Varoitus:

Älä upota laitetta veteen tai muuhun nesteeseen. Älä myöskään huuhtele sitä vesihanan alla.

- 1 Sammuta keitin laitteen etupuolella olevasta virtapainikkeesta. (Kuva 25)
- 2 Irrota pistoke pistorasiasta.
- 3 Pyyhi kahvinkeitin ulkopuoli kostealla liinalla (Kuva 26).
- 4 Puhdista suodatinkori ja kannu astianpesukoneessa tai kuumalla vedellä ja muutamalla tipalla astianpesuainetta.

6.2 Kahvipapukuilun puhdistus

Kahvipapusailiötä tai kahvipapulajia vaihdettaessa keittimeen jää aina hieman edellistä kahvijauhetta, joka voi vaikuttaa kahvin makuun. Puhdista kahvipapukuilu 1–2 viikon välein tai valmistaessasi kahvia uudentyypisistä pavuista, jotta eri kahvilajit eivät sekoitu. Noudata alla olevia ohjeita, kun vaihdat kahvipapulajista toiseen.

- 1 Sammuta keitin laitteen etupuolella olevasta virtapainikkeesta (Kuva 25).
- 2 Avaa suodatinkorin teline vetämällä kielekkeestä kahvinkeitin oikealla puolella (Kuva 14).
- 3 Ota suodatinpaperi (koko 1x4 tai nro 4) ja taivuta reunat repeytymisen ja kasaan painamisen välttämiseksi. Aseta suodatinpaperi suodatintelineeseen. (Kuva 15)
- 4 Sulje suodatinkorin teline.
- 5 Aseta puhdistusharjan litteän varren tasainen osa kahvipapukuilun avaajaan ja paina sitä alaspäin (Kuva 27).

Huomautus:

Jos haluat puhdistaa kahvipapukuilun nopeasti käyttämällä vain harjaa, siirry vaiheeseen 7. Jos et halua, että edellisestä suodatuksesta jääneet kahvijauheet vaikuttavat uusien kahvipapujen makuun, siirry vaiheeseen 6.

- 6 Paina kahvin vahuuden valintapainiketta 4 sekuntia (Kuva 28).
 - *Kahvimyllyn puhdistustoiminto käynnistyy.*
- 7 Kun kahvimyllyn puhdistus on valmis, siirrä kahvijauheen jäämät harjalla kuilun alaosaan (Kuva 29).
 - *Kahvijauheen jäämät putoavat suodatinkoriin.*

Varoitus:

Älä pudota harjaa kahvipapukuiluun.

- 8 Sulje kahvipapukuilun kansi.
- 9 Poista suodatinpaperi, jossa on kahvijauheen jäämät, ja heitä se pois.

6.3 Kalkinpoisto kahvinkeitimestä

Poista kalkki kahvinkeitimestä, kun huomaat liiallista höyryämistä tai kun suodatusaika pitenee. Suosittelemme kalkinpoistoa kahden kuukauden välein. Käytä kalkinpoistossa vain ruokaetikkaa, sillä muut tuotteet saattavat vahingoittaa kahvinkeitintä.

Varoitus:

Älä koskaan käytä laitteen kalkinpoistoon etikkaa, jonka vahvuus on 8 % tai enemmän, luonnonetikkaa äläkä jauhe- tai tablettikalkinpoistoainetta, koska ne voivat aiheuttaa vaurioita.

- 1 Avaa vesisäiliön kansi.
- 2 Kaada vesisäiliöön 8 kupillista pöytäetikkaa (4 % etikkaa) ja 2 kupillista vettä (Kuva 6).
- 3 Aseta suodatinpaperi (nro 4) suodatinkoriin ja sulje suodatinkorin teline (Kuva 15).
- 4 Aseta tyhjä kannu laitteeseen (Kuva 7).
- 5 Työnnä pistoke pistorasiaan.
- 6 Käynnistä laite etupuolella olevasta käynnistyspainikkeesta (Kuva 8).
 - *Näytön merkkivalot syttyvät.*

-
- 7 Valitse valmiiksi jauhetun kahvin asetus painamalla kahvin vahvuuden valintapainiketta ja kiertämällä säädintä (Kuva 10).
 - 8 Vahvista valinta painamalla säätimen keskiosaa. Aloita sitten suodatus painamalla säädintä uudelleen (Kuva 11).
 - 9 Odota, kunnes puolet etikka-vesiliuoksesta on valunut kannuun. Keskeytä sitten suodatus painamalla virtapainiketta ja anna liuoksen vaikuttaa vähintään 15 minuuttia (Kuva 30).
 - 10 Käynnistä kahvinkeitin uudelleen painamalla virtapainiketta (Kuva 8).
 - 11 Paina säätimen keskiosaa kahdesti ja anna keittimen suodattaa koko vesimäärä (Kuva 19).
 - 12 Tyhjennä kannu ja heitä suodatinpaperi pois.
 - 13 Aloita toinen suodatus täyttämällä vesisäiliö kylmällä vedellä ja painamalla säätimen keskiosaa kahdesti. Anna kahvinkeitimen suodattaa koko vesimäärä ja tyhjennä sitten kannu.
 - 14 Toista vaihetta 13, kunnes vesi ei enää maistu eikä haise etikalle.
 - 15 Puhdista suodatinkori ja kannu astianpesukoneessa tai kuumalla vedellä ja muutamalla tipalla astianpesuainetta.
 - 16 Sammuta keitin laitteen etupuolella olevasta virtapainikkeesta.

7 Tarvikkeiden tilaaminen

Voit ostaa lisävarusteita ja varaosia osoitteessa www.shop.philips.com/service tai Philips-jälleenmyyjältä. Voit myös ottaa yhteyden Philipsin kuluttajapalvelukeskukseen (katso yhteystiedot kansainvälisestä takuulehtisestä).

8 Kierrätys

- Tämä kuvake osoittaa, että tuote kuuluu Euroopan parlamentin ja neuvoston direktiivin 2012/19/EU soveltamisalaan. Ota selvää sähkölaitteille ja elektronisille laitteille tarkoitetusta kierrätysjärjestelmästä alueellasi. Noudata paikallisia sääntöjä äläkä hävitä tuotetta tavallisen talousjätteen mukana. Vanhojen tuotteiden asianmukainen hävittäminen auttaa ehkäisemään ympäristölle ja ihmisille koituvia haittavaikutuksia (Kuva 31).

9 Takuu ja tuki

Jos haluat tukea tai lisätietoja, käy Philipsin verkkosivuilla osoitteessa www.philips.com/support tai lue erillinen kansainvälinen takuulehtinen.

10 Vianmääritys

Tähän osaan on koottu tavallisimmat laitteen käytössä ilmenevät ongelmat. Ellet löydä ongelmaasi ratkaisua seuraavista tiedoista, lue osoitteesta www.philips.com/support vastauksia usein kysytyihin kysymyksiin tai ota yhteys maasi asiakaspalveluun.

Laite ei toimi.

- Työnnä pistoke pistorasiaan ja kytke virta laitteen etupuolella olevalla virtakytkimellä.
- Varmista, että laitteen jännitemerkintä vastaa paikallista verkkojännitettä.
- Täytä vesisäiliö vedellä.
- Sulje kahvipapukuilun kansi.

Kun käytän kahvimyllyä, kahvi on liian mietoa.

- Varmista, että 2–10 kupin painikkeella valitseminen kupillisten määrä vastaa vesisäiliössä olevan veden määrää. Muista, että kahvinkeitin käyttää kaiken vesisäiliössä olevan veden.
- Valitse kahvinvoimakkuuden säätöpainikkeella asetukseksi "vahva".
- Käyttäessäsi kahvipapuja varmista, ettet paina valmiiksi jauhetun kahvin painiketta, sillä se kytkee kahvimyllyn pois käytöstä.
- Käytä vahvempia kahvipapuja.
- Varmista, että kuppien määrä vastaa vesisäiliössä olevan veden määrää.

Kun käytän kahvijauhetta, kahvi on liian mietoa.

- Varmista, että kahvijauheen määrä suodattimessa vastaa vesisäiliössä olevan veden määrää. Muista, että laite käyttää kaiken vesisäiliössä olevan veden.
- Käytä vahvempaa kahvijauhetta.
- Lisää kahvin vahvuutta lisäämällä kahvijauheen määrää tai vähentämällä veden määrää.

Kahvi valuu suodattimesta yli, kun kannu poistetaan laitteesta suodatuksen aikana.

- Jos poistat kannun keittimestä yli 20 sekunniksi suodatuksen aikana, tippalukko aiheuttaa sen, että suodatinkori täyttyy ja valuu yli. Huomioi myös, että kahvin täyteläinen maku muodostuu vasta suodatuksen loppuvaiheessa. Siksi kannua ei kannata poistaa ja kahvia kaataa kuppiin, ennen kuin suodatus on valmis.

Laitteesta tippuu kahvia pitkään suodatuksen jälkeen.

- Tippuminen johtuu höyryn tiivistymisestä. On normaalia, että kahvipisarointi tippuu jonkin aikaa.
- Jos tippuminen jatkuu, tippalukko voi olla tukossa. Puhdista tippalukko avaa suodatinteline vetämällä kahvinkeitin oikealla puolella olevasta kielekkeestä. Irrota suodatinteline. Huuhtelee suodatinteline ja tippalukko juoksevalla vedellä.
- Jos nostat kannun keittimestä yli 20 sekunniksi suodatuksen aikana, tippalukko aiheuttaa sen, että suodatinkori täyttyy ja valuu yli.

Kahvi ei ole tarpeeksi kuumaa.

- Lämmitä kannu kuumalla vedellä ennen kahvin valmistamista.
- Kahvi jäähtyy kannussa nopeammin, jos valmistat vain muutaman kupillisen kahvia. Kahvi säilyy kuumana pidempään, jos keität 10 kupillista eli täyden kannun kahvia.
- Käytä ohuita kahvikuppeja, jotka haihduttavat kahvista vähemmän lämpöä kuin paksut kupit.
- Älä käytä suoraan jääkaapista otettua maitoa.
- Poista kalkki laitteesta. Katso kohtaa Kalkinpoisto luvussa Puhdistus ja huolto.

Kahvinkeitin ei puhdista kahvipapukuilua.

- Varmista, että keittimen virtajohto on kytketty pistorasiaan.
- Avaa kahvipapukuilun kansi, ennen kuin painat vahvuuden valintapainiketta 4 sekunnin ajan.
- Paina kahvin vahvuuden valintapainiketta 4 sekunnin ajan, kunnes puhdistus alkaa.

Laite toimii, mutta siitä kuuluu merkkiäni.

- Tarkista, onko kahvipapukuilun kansi kunnolla kiinni.

Kahvipavut näyttävät kuluvan nopeasti.

- Näyttää ehkä siltä, kuin kahvipavut kuluisivat loppuun nopeasti. Täydellisen kahvikupillisen valmistukseen tarvitaan kuitenkin tietty määrä jauhetta kahvia. Laite käyttää normaalin määrän kahvipapuja, jotta se saa tarpeeksi jauhetta kahvia ja voi valmistaa täydellisen kahvikupillisen.

1 Introduction

Félicitations pour votre achat et bienvenue dans l'univers Philips ! Pour profiter pleinement de l'assistance Philips, enregistrez votre produit sur le site à l'adresse suivante : www.philips.com/welcome.

2 Description générale (fig. 1)

- 1 Porte-filtre
- 2 Support pour porte-filtre
- 3 Indicateur de niveau d'eau
- 4 Couvercle du réservoir d'eau
- 5 Couvercle du réservoir à grains de café
- 6 Sélecteur de réservoir
- 7 Sélecteur de mouture
- 8 Double réservoir à grains de café
- 9 Couvercle du bac à grains
- 10 Éjecteur du bac à grains
- 11 Orifice de remplissage d'eau
- 12 Afficheur
 - A Icône de mouture du café
 - B Nombre de tasses
 - C Icône de tasse à café
 - D Icône de sélection d'intensité
 - E Bouton de sélection d'intensité
 - F Bouton du programmeur
 - G Indicateur d'heure
 - H Indicateur de minutes
 - I Icône du minuteur
- 13 Bouton marche/arrêt
- 14 Couvercle de la verseuse en verre
- 15 Verseuse en verre
- 16 Brossette de nettoyage

3 Important

Lisez attentivement ce mode d'emploi avant d'utiliser l'appareil et conservez-le pour un usage ultérieur.

3.1 Danger

- Ne plongez jamais l'appareil dans l'eau, ni dans d'autres liquides et ne le rincez pas sous le robinet.

3.2 Avertissement

- Avant de brancher l'appareil, vérifiez que la tension indiquée sur la base correspond à la tension secteur locale.
- Si le cordon d'alimentation est endommagé, il doit être remplacé par Philips, par un Centre Service Agréé Philips ou par un technicien qualifié afin d'éviter tout accident.
- Cet appareil peut être utilisé par des enfants âgés de 8 ans ou plus, des personnes dont les capacités physiques, sensorielles ou intellectuelles sont réduites ou des personnes manquant d'expérience et de connaissances, à condition que ces enfants ou personnes soient sous surveillance ou qu'ils aient reçu des instructions quant à l'utilisation sécurisée de l'appareil et qu'ils aient pris connaissance des dangers encourus. Le nettoyage et l'entretien ne doivent pas être réalisés par des enfants sauf s'ils sont âgés de plus de 8 ans et sous surveillance. Tenez l'appareil et son cordon hors de portée des enfants de moins de 8 ans.
- Les enfants ne doivent pas jouer avec l'appareil.

- Ne laissez pas le cordon pendre de la table ou du plan de travail sur lequel l'appareil est posé.
- Ne touchez pas aux meules de l'appareil, surtout lorsque ce dernier est branché.
- Les emballages (sacs en plastique, cartons de protection, etc.) ne sont pas des jouets. Tenez-les hors de portée des enfants.
- Ne touchez pas les surfaces chaudes de l'appareil pendant son fonctionnement.
- Cet appareil est conçu pour moulinier des grains de café et préparer du café. Respectez les consignes d'utilisation et manipulez l'appareil avec précaution pour éviter les brûlures dues à l'eau chaude et à la vapeur.
- Ne videz pas le réservoir d'eau en inclinant l'appareil, vous risqueriez d'endommager ce dernier. Pour vider le réservoir d'eau, suivez les instructions de rinçage.
- N'utilisez jamais l'appareil si la prise, le cordon d'alimentation ou l'appareil lui-même est endommagé.
- Si vous ne parvenez pas à résoudre le problème à l'aide de ce manuel d'utilisation, contactez le Service Consommateurs Philips de votre pays. Si le problème persiste, confiez votre appareil à un Centre Service Agréé Philips pour vérification ou réparation. N'essayez jamais de réparer l'appareil vous-même ; toute intervention par des personnes non qualifiées entraîne l'annulation de la garantie.

3.3 Attention

- Ne posez jamais l'appareil sur une surface chaude et veillez à ce que le cordon d'alimentation ne soit pas en contact avec des surfaces chaudes.
- Débranchez toujours l'appareil en cas de problème lors de son fonctionnement et avant de le nettoyer.
- Ne déplacez pas l'appareil en cours d'utilisation.
- L'appareil devient chaud pendant l'utilisation. Laissez-le refroidir avant de le ranger.
- La partie inférieure de l'appareil et le fond de la verseuse sont très chauds pendant la préparation du café.
- Une fois l'appareil déballé, vérifiez qu'il n'est pas endommagé et qu'il ne manque aucune pièce. En cas de doute, n'utilisez pas l'appareil et contactez le Service Consommateurs Philips de votre pays.
- Cet appareil est destiné à un usage domestique normal uniquement. Il n'est pas destiné à être utilisé dans des environnements tels que des cuisines destinées aux employés dans les entreprises, magasins et autres environnements de travail. Il n'est pas non plus destiné à être utilisé par des clients dans des hôtels, motels, chambres d'hôtes et autres environnements résidentiels.

3.4 Champs électromagnétiques (CEM)

Cet appareil Philips est conforme à toutes les normes et à tous les règlements applicables relatifs à l'exposition aux champs électromagnétiques.

4 Avant la première utilisation

4.1 Réglage de l'heure

- 1 Branchez le cordon d'alimentation sur la prise secteur.
 - *Sur l'afficheur, « 00:00 » clignote pour indiquer que vous devez régler l'heure.*
- 2 Tournez le bouton pour régler l'heure (fig. 2).
- 3 Appuyez au centre du bouton pour confirmer l'heure (fig. 3).
 - *Les minutes commencent à clignoter pour indiquer que vous devez régler les minutes.*
- 4 Tournez le bouton pour régler les minutes (fig. 4).
- 5 Appuyez au centre du bouton pour confirmer les minutes (fig. 5).
- 6 L'heure définie apparaît sur l'afficheur. La cafetière est prête à l'emploi.

4.2 Réglage de la durée de l'arrêt automatique

Vous pouvez régler la durée au bout de laquelle l'appareil s'éteint automatiquement. La durée par défaut est de 30 minutes. Vous pouvez modifier cette durée jusqu'à un maximum de 120 minutes. Si vous souhaitez régler la durée de l'arrêt automatique, suivez les étapes ci-dessous.

- 1 Assurez-vous que l'appareil est éteint (mais que le cordon d'alimentation est branché sur la prise murale).
- 2 Maintenez enfoncé le centre du bouton jusqu'à ce que l'afficheur commence à clignoter.
- 3 Tournez le bouton pour augmenter ou diminuer la durée. 1 correspond à 10 minutes, 2 correspond à 20 minutes, 3 correspond à 30 minutes, et ainsi de suite jusqu'à ce que 12 corresponde à 120 minutes.
- 4 Appuyez au centre du bouton pour confirmer les minutes.

Remarque :

L'appareil enregistre toujours le dernier réglage sélectionné.

4.3 Rinçage de l'appareil

Rincez la cafetière avant sa première utilisation.

- 1 Soulevez le couvercle du réservoir d'eau. Remplissez le réservoir avec de l'eau froide **jusqu'à l'indication 8 tasses.** (fig. 6)
 - **Remarque :**
Ne mettez pas de grains de café ou de café moulu dans l'appareil.
- 2 Fermez le couvercle du réservoir d'eau.
- 3 Placez la verseuse dans l'appareil (fig. 7).
- 4 Appuyez sur le bouton marche/arrêt (fig. 8).
 - *L'afficheur s'allume.*
- 5 Appuyez sur le bouton de sélection d'intensité (fig. 9).
- 6 Tournez le bouton pour choisir le réglage de la mouture (fig. 10).
 - *L'icône de mouture du café s'allume.*
- 7 Appuyez au centre du bouton pour confirmer. Puis, appuyez à nouveau au centre du bouton pour commencer le processus de rinçage (fig. 11).
- 8 Laissez l'appareil fonctionner jusqu'à ce que le processus de rinçage soit terminé.
- 9 Videz la verseuse.

5 Utilisation de l'appareil

5.1 Remplissage du réservoir

- 1 Ouvrez le couvercle du réservoir d'eau et remplissez le réservoir avec la quantité d'eau froide requise. (fig. 6)
Lorsque vous ouvrez le couvercle du réservoir d'eau, vous pouvez voir des indications pour 2 à 10 tasses à l'intérieur de l'appareil. Vous pouvez les utiliser pour déterminer la quantité d'eau à mettre dans le réservoir. Le reflet passe de clair à foncé par tasse d'eau remplie. Vous pouvez également utiliser l'indicateur de niveau d'eau sur la verseuse.

Remarque :

Ne remplissez pas le réservoir d'eau au-delà de l'indication 10 tasses.

5.2 Utilisation avec des grains de café

Avertissement :

Veillez à ce que le couvercle du réservoir d'eau soit toujours fermé lorsque vous remplissez le bac à grains. Dans le cas contraire, les grains de café risquent de tomber dans le réservoir d'eau et de bloquer l'orifice de remplissage.

- 1 Retirez le couvercle du réservoir à grains de café. (fig. 12)
- 2 Remplissez le double réservoir à grains de café. Vous pouvez remplir le double réservoir avec deux types de grains de café différents. Assurez-vous de mettre suffisamment de grains de café dans le bac pour préparer la quantité de café souhaitée (fig. 13).

Remarque :

Vérifiez à chaque utilisation que le bac à grains est au moins à moitié rempli.

Avertissement :

N'utilisez pas de grains de café caramélisés ou non torréfiés, cela risquerait d'entraver le bon fonctionnement du moulin. Il est conseillé d'utiliser des grains de café au lieu de grains de café expresso, car ceux-ci peuvent endommager l'appareil.

- 3 Pour ouvrir le support pour porte-filtre, tirez sur la languette située sur le côté droit de la cafetière filtre (fig. 14).
- 4 Prenez un filtre en papier (type 1x4 ou n° 4) et rabattez les bords du filtre pour éviter de le déchirer ou de le plier. Placez le filtre en papier dans le porte-filtre. (fig. 15)
- 5 Fermez le support du porte-filtre.
- 6 Placez la verseuse dans l'appareil. (fig. 7)
- 7 Tournez le sélecteur de mouture pour sélectionner le type de mouture souhaité (de fin à épais). (fig. 16)

Conseil :

Vous avez le choix entre neuf niveaux de mouture. Trois réglages optimaux sont indiqués par des icônes, mais vous pouvez choisir n'importe quel autre réglage entre ces icônes. Nous vous conseillons d'essayer différents niveaux de mouture pour trouver celui que vous préférez.

- 8 Tournez le sélecteur de réservoir pour choisir un des deux types de grains de café (fig. 17).

Avertissement :

Quand vous changez de réservoir ou de type de grains de café, il reste des traces du précédent type de café. Pour éviter cela, nettoyez le bac à grains lorsque vous changez de type de grains.

Remarque :

Selon votre goût, vous pouvez choisir un des deux types de grains de café ou un mélange des deux.

- 9 Appuyez sur le bouton marche/arrêt sur le devant de l'appareil (fig. 8).
 - *Le nombre de tasses commence à clignoter.*
- 10 Pour sélectionner le nombre de tasses, tournez le bouton jusqu'à ce que le nombre souhaité s'affiche (fig. 18).

Remarque :

Assurez-vous que le nombre de tasses sélectionné à l'aide du bouton pour 2-10 tasses correspond à la quantité d'eau dans le réservoir d'eau. Notez que la cafetière utilise toute l'eau présente dans le réservoir. Si vous sélectionnez un nombre de tasses inférieur à la quantité d'eau, le café sera plus doux que prévu.

- 11 Appuyez au centre du bouton pour confirmer le nombre de tasses.
- 12 Appuyez sur le bouton de sélection d'intensité. (fig. 9)
 - *Les icônes de grain de café commencent à clignoter.*

13 Tournez le bouton pour sélectionner l'intensité du café souhaitée (doux : 1 grain, moyen : 2 grains ou fort : 3 grains) (fig. 10).

- *L'intensité du café sélectionnée apparaît sur l'afficheur.*

✿ Conseil :

Nous vous conseillons d'essayer différentes quantités d'eau pour trouver l'intensité que vous préférez. Si vous sélectionnez un nombre de tasses plus élevé que la quantité d'eau, le café sera plus fort. Si vous sélectionnez un nombre de tasses plus petit que la quantité d'eau, le café sera plus doux.

14 Appuyez au centre du bouton pour confirmer. Puis, appuyez à nouveau au centre du bouton pour lancer le cycle de préparation (fig. 19).

- *Le moulin moud la quantité de grains de café correspondante.*

15 Attendez que la cafetière filtre ait terminé la préparation avant de retirer la verseuse.

☹ Remarque :

Une fois la préparation terminée, le café continue de s'écouler du porte-filtre pendant quelques secondes.

5.3 Utilisation avec du café moulu

Si vous souhaitez utiliser du café moulu et non des grains de café, suivez les instructions ci-dessous.

- 1** Ouvrez le couvercle du réservoir d'eau et remplissez le réservoir avec la quantité d'eau froide requise. (fig. 6)
- 2** Pour ouvrir le support pour porte-filtre, tirez sur la languette située sur le côté droit de la cafetière filtre (fig. 14).
- 3** Prenez un filtre en papier (type 1x4 ou n° 4) et rabattez les bords du filtre pour éviter de le déchirer ou de le plier. Placez le filtre en papier dans le porte-filtre (fig. 15).
- 4** Versez du café moulu dans le filtre en papier.

☹ Remarque :

Vous pouvez régler l'intensité du café selon vos goûts. Pour une tasse de café moyen-fort, mettez l'équivalent d'une cuillère de mesure (environ 6 g) par tasse (120 ml). Pour un café plus fort, comptez 1,5 cuillère de café moulu par tasse.

- 5** Fermez le support du porte-filtre.
- 6** Placez la verseuse dans l'appareil (fig. 7).
- 7** Appuyez sur le bouton marche/arrêt (fig. 8).
 - *L'afficheur s'allume.*
- 8** Appuyez sur le bouton de sélection d'intensité (fig. 9).
- 9** Tournez le bouton pour choisir le réglage de la mouture (fig. 10).
 - *L'icône de mouture du café s'allume.*
- 10** Appuyez au centre du bouton pour confirmer. Puis, appuyez à nouveau au centre du bouton pour lancer le cycle de préparation (fig. 11).
- 11** Attendez que la cafetière filtre ait terminé la préparation avant de retirer la verseuse.

☹ Remarque :

Une fois la préparation terminée, le café continue de s'écouler du porte-filtre pendant quelques secondes.

5.4 Réglage du minuteur

Le minuteur vous permet de programmer l'heure à laquelle vous souhaitez que le cycle de préparation du café débute. Assurez-vous que toutes les étapes de préparation du café sont suivies avec du café moulu ou des grains de café avant de régler le minuteur.

- 1** Appuyez sur le bouton du minuteur. (fig. 20)
 - *Sur l'afficheur, « 00:00 » clignote pour indiquer que vous devez régler le minuteur.*
- 2** Tournez le bouton pour régler l'heure (fig. 21).
- 3** Appuyez au centre du bouton pour confirmer l'heure (fig. 22).
 - *Les minutes commencent à clignoter pour indiquer que vous devez régler les minutes.*
- 4** Tournez le bouton pour régler les minutes (fig. 23).

- 5** Appuyez au centre du bouton pour confirmer les minutes (fig. 24).
- *Le minuteur est maintenant réglé et le cycle de préparation commencera à l'heure programmée.*

5.5 Fonction stop-goutte

La fonction stop-goutte vous permet de retirer la verseuse de la cafetière avant que le cycle de préparation ne soit fini. Lorsque vous retirez la verseuse, le système stop-goutte empêche le café de s'écouler.

Remarque :

Le cycle de préparation ne s'arrête pas lorsque vous retirez la verseuse. Si vous n'avez pas remis la verseuse dans l'appareil au bout de 20 secondes, le porte-filtre déborde.

6 Nettoyage et entretien

6.1 Nettoyage après chaque utilisation

Avertissement :

Ne plongez jamais l'appareil dans l'eau, ni dans d'autres liquides et ne le rincez pas sous le robinet.

- 1** Appuyez sur le bouton marche/arrêt sur le devant de l'appareil pour l'éteindre. (fig. 25)
- 2** Retirez le cordon d'alimentation de la prise secteur.
- 3** Essuyez l'extérieur de la cafetière à l'aide d'un chiffon humide (fig. 26).
- 4** Nettoyez le porte-filtre et la verseuse dans le lave-vaisselle ou à l'eau chaude, avec un peu de liquide vaisselle.

6.2 Nettoyage du bac à grains

Quand vous changez de réservoir ou de type de grains de café, ceux qui ont été précédemment moulus laissent des traces et le goût de votre café peut s'en trouver altéré. Nettoyez le bac à grains toutes les une à deux semaines ou quand vous changez de réservoir à grains pour éviter que le café fraîchement moulu et les traces dans le bac à grains ne se mélangent. Pour réduire cet effet, suivez les étapes ci-dessous après avoir changé de type de grains de café.

- 1** Appuyez sur le bouton marche/arrêt sur le devant de l'appareil pour l'éteindre (fig. 25).
- 2** Pour ouvrir le support pour porte-filtre, tirez sur la languette située sur le côté droit de la cafetière filtre (fig. 14).
- 3** Prenez un filtre en papier (type 1x4 ou n° 4) et rabattez les bords du filtre pour éviter de le déchirer ou de le plier. Placez le filtre en papier dans le porte-filtre. (fig. 15)
- 4** Fermez le support du porte-filtre.
- 5** Insérez le côté plat de la brosse de nettoyage dans l'éjecteur du bac à grains et appuyez (fig. 27).

Remarque :

Si vous voulez nettoyer rapidement le bac à grains à la brosse uniquement, veuillez passer à l'étape 7. Si vous voulez éviter que les traces de café moulu affectent le goût de vos nouveaux grains de café, veuillez passer à l'étape 6.

- 6** Maintenez le bouton de sélection d'intensité enfoncé pendant 4 secondes (fig. 28).
 - *Le moulin commence à se nettoyer.*
- 7** Lorsque le moulin a terminé son nettoyage, utilisez la brosse de nettoyage pour faire tomber les résidus de café moulu dans la partie basse du bac (fig. 29).
 - *Les résidus de café moulu tombent dans le porte-filtre.*

Attention :

Ne laissez pas tomber la brosette dans le bac à grains.

- 8 Fermez le couvercle du bac à grains.
- 9 Enlevez le filtre en papier avec les résidus de café moulu et jetez-le.

6.3 Détartrage de la machine à café

Détartrez votre cafetière filtre lorsque vous remarquez une vapeur excessive ou lorsque le temps de préparation augmente. Il est conseillé d'effectuer un détartrage tous les deux mois. Utilisez uniquement du vinaigre blanc car d'autres produits pourraient l'endommager.

Attention :

Afin d'éviter tout dommage, n'utilisez jamais de vinaigre blanc (à teneur en acide acétique supérieure ou égale à 8 %), de vinaigre naturel, de détartrant en poudre ou en tablette pour détartrer l'appareil.

- 1 Ouvrez le couvercle du réservoir d'eau.
- 2 Remplissez le réservoir d'eau avec 8 tasses de vinaigre blanc (4 % d'acide acétique) et 2 tasses d'eau (fig. 6).
- 3 Placez un filtre en papier (n° 4) dans le porte-filtre et fermez le support pour porte-filtre (fig. 15).
- 4 Placez la verseuse vide dans l'appareil (fig. 7).
- 5 Branchez le cordon d'alimentation sur la prise secteur.
- 6 Appuyez sur le bouton marche/arrêt sur le devant de l'appareil pour l'allumer (fig. 8).
 - *L'afficheur s'allume.*
- 7 Appuyez sur le bouton de sélection d'intensité et tournez-le pour choisir le niveau de mouture (fig. 10).
- 8 Appuyez au centre du bouton pour confirmer. Puis, appuyez à nouveau au centre du bouton pour lancer le cycle de préparation (fig. 11).
- 9 Attendez que la moitié de la solution vinaigre-eau se soit écoulée dans la verseuse. Appuyez ensuite sur le bouton marche/arrêt pour arrêter le cycle de préparation et laissez agir pendant au moins 15 minutes (fig. 30).

- 10 Rallumez la cafetière filtre en appuyant sur le bouton marche/arrêt (fig. 8).
- 11 Appuyez deux fois au centre du bouton pour laisser l'appareil terminer le cycle de préparation (fig. 19).
- 12 Videz la verseuse et jetez le filtre en papier.
- 13 Remplissez le réservoir d'eau avec de l'eau froide et appuyez deux fois au centre du bouton pour commencer un nouveau cycle de préparation. Laissez la cafetière filtre terminer le cycle de préparation et videz la verseuse.
- 14 Répétez l'étape 13 jusqu'à ce que l'eau n'ait plus le goût ni l'odeur du vinaigre.
- 15 Nettoyez le porte-filtre et la verseuse dans le lave-vaisselle ou à l'eau chaude, avec un peu de liquide vaisselle.
- 16 Appuyez sur le bouton marche/arrêt sur le devant de l'appareil pour l'éteindre.

7 Commande d'accessoires

Pour acheter des accessoires ou des pièces de rechange, visitez le site Web **www.shop.philips.com/service** ou rendez-vous chez votre revendeur Philips. Vous pouvez également contacter le Service Consommateurs Philips de votre pays (voir le dépliant de garantie internationale pour les coordonnées).

8 Recyclage

- La présence de ce symbole sur un produit indique que ce dernier est conforme à la directive européenne 2012/19/UE. Renseignez-vous sur les dispositions en vigueur dans votre région concernant la collecte séparée des appareils électriques et électroniques. Respectez les réglementations locales et ne jetez pas le produit avec les ordures ménagères ordinaires. La mise au rebut correcte d'anciens produits permet de préserver l'environnement et la santé (fig. 31).

9 Garantie et assistance

Si vous avez besoin d'une assistance ou d'informations supplémentaires, consultez le site Web **www.philips.com/support** ou lisez le dépliant séparé sur la garantie internationale.

10 Dépannage

Cette rubrique présente les problèmes les plus courants que vous pouvez rencontrer avec votre appareil. Si vous ne parvenez pas à résoudre le problème à l'aide des informations ci-dessous, rendez-vous sur **www.philips.com/support** pour consulter les questions fréquemment posées, ou contactez le Service Consommateurs de votre pays.

L'appareil ne fonctionne pas.

- Branchez le cordon d'alimentation sur la prise secteur et appuyez sur le bouton marche/arrêt sur le devant de l'appareil pour l'allumer.
- Assurez-vous que la tension indiquée sur l'appareil correspond bien à la tension secteur locale.
- Remplissez le réservoir d'eau.
- Fermez le couvercle du bac à grains.

Lorsque j'utilise le moulin, le café est trop léger:

- Assurez-vous que le nombre de tasses sélectionné à l'aide du bouton pour 2-10 tasses correspond à la quantité d'eau dans le réservoir d'eau. Notez que la machine à café utilise toute l'eau présente dans le réservoir.
- Réglez le bouton de sélection d'intensité sur « strong » (fort) pour changer l'intensité du café.
- Lorsque vous utilisez des grains de café, veillez à ne pas appuyer sur le bouton de mouture du café car cela désactive le moulin.
- Utilisez des grains de café à l'arôme plus intense ou au goût plus fort.
- Assurez-vous que le nombre de tasses sélectionné correspond à la quantité d'eau dans le réservoir.

Lorsque j'utilise du café moulu, le café est trop léger:

- Assurez-vous que la quantité de café moulu dans le filtre correspond à la quantité d'eau dans le réservoir d'eau. Notez que l'appareil utilise toute l'eau présente dans le réservoir.
- Utilisez un café moulu à l'arôme plus intense ou au goût plus fort.
- Pour plus d'intensité, augmentez la quantité de café moulu ou diminuez la quantité d'eau.

Le filtre déborde lorsque je retire la verseuse au cours d'un cycle de préparation.

- Si vous retirez la verseuse pendant plus de 20 secondes pendant le cycle de préparation du café, le système stop-goutte risque de faire déborder le porte-filtre. Notez également que le café prend tout son arôme uniquement à la fin d'un cycle complet. Nous vous conseillons donc de ne pas retirer la verseuse et de ne pas servir le café tant que le cycle de préparation n'est pas terminé.

L'appareil continue à goutter, longtemps après la fin du cycle de préparation du café.

- Ce phénomène est causé par la condensation de la vapeur. Il est tout à fait normal que l'appareil goutte pendant quelques instants.
- Si l'appareil n'arrête pas de goutter, le système stop-goutte est peut-être obstrué. Pour nettoyer le système stop-goutte, tirez sur la languette du support pour porte-filtre sur le côté droit de la cafetière filtre pour ouvrir le support. Retirez le porte-filtre. Ensuite, rincez le porte-filtre et le système stop-goutte sous le robinet.
- Si vous retirez la verseuse pendant plus de 20 secondes pendant le cycle de préparation du café, le système stop-goutte risque de faire déborder le porte-filtre.

Le café n'est pas assez chaud.

- Préchauffez la verseuse à l'eau chaude avant de préparer du café.
- Le café dans la verseuse refroidit plus rapidement si vous ne préparez que quelques tasses. Le café reste chaud plus longtemps si vous préparez 10 tasses, c'est-à-dire une verseuse pleine.
- Utilisez des tasses à parois fines car celles-ci absorbent moins de chaleur que les tasses à parois épaisses.
- N'utilisez pas de lait qui vient de sortir du réfrigérateur.
- Déterminez l'appareil. Consultez la section « Détramage de la machine à café » du chapitre « Nettoyage et entretien ».

L'appareil ne nettoie pas le bac à grains.

- Assurez-vous que l'appareil est branché.
- Assurez-vous que le couvercle du bac à grains est ouvert avant de maintenir enfoncé le bouton de sélection d'intensité pendant 4 secondes.
- Maintenez enfoncé le bouton de sélection d'intensité pendant 4 secondes jusqu'à ce que le moulin commence le nettoyage.

L'appareil fonctionne, mais émet un signal sonore.

- Vérifiez si le couvercle du bac à grains est correctement fermé.

Les grains de café semblent avoir été utilisés rapidement.

- Il se peut que les grains de café semblent avoir été utilisés rapidement. Pour garantir une tasse de café parfaite, une certaine quantité de café moulu est nécessaire. La quantité de grains de café que l'appareil utilise pour obtenir la quantité parfaite de café moulu est normale.

1 Introduzione

Congratulazioni per l'acquisto e benvenuti in Philips! Per trarre il massimo vantaggio dall'assistenza Philips, registrate il vostro prodotto su www.philips.com/welcome.

2 Descrizione generale (fig. 1)

- 1 Cestello del filtro
- 2 Portafiltro
- 3 Indicatore del livello dell'acqua
- 4 Coperchio del serbatoio dell'acqua
- 5 Coperchio del contenitore dei chicchi di caffè
- 6 Selettore contenitore
- 7 Manopola di regolazione della macinatura
- 8 Doppio contenitore di caffè in grani
- 9 Coperchio dello scivolo del caffè in grani
- 10 Eiettore dello scivolo del caffè in grani
- 11 Foro di riempimento dell'acqua
- 12 Display
 - A Icona del caffè pre-macinato
 - B Numero di tazze
 - C Icona della tazza di caffè
 - D Icona di selezione dell'intensità del caffè
 - E Pulsante di selezione dell'intensità
 - F Pulsante del timer
 - G Indicatore dell'ora
 - H Indicatore dei minuti
 - I Icona del timer
- 13 Pulsante on/off
- 14 Coperchio della caraffa di vetro
- 15 Caraffa di vetro
- 16 Spazzolina per la pulizia

3 Importante

Prima di utilizzare l'apparecchio, leggete attentamente il presente manuale e conservatelo per eventuali riferimenti futuri.

3.1 Pericolo

- Non immergete l'apparecchio nell'acqua o in altri liquidi e non risciacquatelo sotto l'acqua corrente.

3.2 Avviso

- Prima di collegare l'apparecchio, controllate che la tensione indicata sulla parte inferiore dell'apparecchio corrisponda a quella locale.
- Nel caso in cui il cavo di alimentazione fosse danneggiato, dovrà essere sostituito presso i centri autorizzati Philips, i rivenditori specializzati oppure da personale debitamente qualificato, per evitare situazioni pericolose.
- Quest'apparecchio può essere usato da bambini a partire da 8 anni di età e da persone con capacità fisiche, sensoriali o mentali ridotte o prive di esperienza o conoscenze adatte a condizione che tali persone abbiano ricevuto assistenza o formazione per utilizzare l'apparecchio in maniera sicura e capiscano i potenziali pericoli associati a tale uso. La manutenzione e la pulizia non devono essere eseguite da bambini se non di età superiore a 8 anni e in presenza di un adulto. Tenete l'apparecchio e il relativo cavo fuori dalla portata di bambini di età inferiore a 8 anni.

- Evitate che i bambini giochino con l'apparecchio.
- Assicuratevi che il cavo di alimentazione non penda dal bordo del tavolo o dal piano di lavoro su cui è posizionato l'apparecchio.
- Non toccate le unità di macinatura del caffè dell'apparecchio, specialmente quando quest'ultimo è collegato alla corrente.
- Tenete il materiale di imballaggio (buste di plastica, protezioni in cartone, ecc.) fuori dalla portata dei bambini poiché non sono giocattoli.
- Durante il funzionamento dell'apparecchio non toccate le superfici incandescenti.
- Questo apparecchio è progettato per macinare e preparare il caffè. Utilizzatelo correttamente e con cautela per evitare ustioni dovute al vapore e all'acqua calda.
- Non svuotate il serbatoio dell'acqua inclinando l'apparecchio onde evitare di danneggiarlo. Svuotate il serbatoio dell'acqua seguendo esclusivamente le istruzioni per la pulizia.
- Non utilizzate l'apparecchio se la spina, il cavo di alimentazione o l'apparecchio stesso sono danneggiati.
- Se si verifica un problema che non riuscite a risolvere consultando il presente manuale, rivolgetevi al Centro Assistenza Clienti del vostro paese. Se il problema risulta irrisolvibile, rivolgetevi a un centro autorizzato Philips

per un controllo ed eventuali riparazioni. Non tentate di riparare l'apparecchio per evitare di invalidare la garanzia.

3.3 Attenzione

- Non appoggiate l'apparecchio su una superficie calda e fate in modo che il cavo di alimentazione non venga a contatto con superfici incandescenti.
- Scollegate l'apparecchio dalla presa di corrente se si verificano problemi durante la macinazione o la preparazione del caffè e prima di pulirlo.
- Non spostate l'apparecchio mentre è in funzione.
- Durante l'uso, l'apparecchio si surriscalda. Lasciatelo raffreddare prima di riparlo.
- Durante la preparazione del caffè, la parte inferiore dell'apparecchio e il fondo della caraffa diventano caldi.
- Quando togliete l'apparecchio dalla confezione, controllate che sia integro e che non abbia subito danni. In caso di dubbi, non utilizzatelo ma rivolgetevi al centro assistenza clienti del vostro paese.
- Questo apparecchio è destinato esclusivamente ad un uso domestico e non deve essere utilizzato in ambienti quali cucine dei dipendenti all'interno di punti vendita, uffici, aziende agricole o altri ambienti lavorativi. Non deve essere altresì utilizzato dai clienti di hotel, motel, Bed & Breakfast e altri ambienti residenziali.

3.4 Campi elettromagnetici (EMF)

Questo apparecchio Philips è conforme a tutti gli standard e alle norme relativi all'esposizione ai campi elettromagnetici.

4 Primo utilizzo

4.1 Impostazione dell'orologio

- 1 Inserite la spina nella presa di corrente a muro.
 - *Sul display lampeggiano le cifre 00:00 a indicare che è necessario impostare l'ora.*
- 2 Ruotate la manopola per impostare l'ora (fig. 2).
- 3 Premete il centro della manopola per confermare l'ora (fig. 3).
 - *I minuti iniziano a lampeggiare a indicare che è necessario impostare i minuti.*
- 4 Ruotate la manopola per impostare i minuti (fig. 4).
- 5 Premete il centro della manopola per confermare i minuti (fig. 5).
- 6 Il display mostra l'ora impostata. La macchina del caffè è pronta per l'uso.

4.2 Impostazione del tempo di spegnimento automatico

Potete regolare il tempo trascorso il quale l'apparecchio si spegne automaticamente. Il tempo predefinito è di 30 minuti. Potete regolare il tempo su un massimo di 120 minuti. Se volete regolare il tempo di spegnimento automatico, seguite i passaggi riportati di seguito.

- 1 Assicuratevi che l'apparecchio sia spento (ma che la spina sia inserita nella presa a muro).
- 2 Tenete premuto al centro della manopola finché il display inizia a lampeggiare.
- 3 Ruotate la manopola per aumentare o diminuire il tempo. 1 corrisponde a 10 minuti, 2 a 20 minuti, 3 a 30 minuti e così via fino a 12 che corrisponde a 120 minuti.
- 4 Premete il centro della manopola per confermare i minuti.

Nota:

l'apparecchio salva sempre l'ultima impostazione.

4.3 Come lavare l'apparecchio

La macchina per caffè all'americana deve essere pulita al primo utilizzo.

- 1 Aprite il coperchio del serbatoio dell'acqua e riempitelo con acqua fredda pulita **fino all'indicazione 8 tazze**. (fig. 6)

Nota:

Non mettete caffè in grani o caffè macinato nell'apparecchio.

- 2 Chiudete il coperchio del serbatoio dell'acqua.
- 3 Posizionate la caraffa nell'apparecchio (fig. 7).
- 4 Premete il pulsante on/off (fig. 8).
 - *Il display si accende.*
- 5 Premete il pulsante di selezione dell'intensità (fig. 9).
- 6 Ruotate la manopola per scegliere l'impostazione del caffè pre-macinato (fig. 10).
 - *L'icona del caffè pre-macinato si accende.*
- 7 Premete il centro della manopola per confermare, quindi premetelo di nuovo per avviare il processo di pulizia (fig. 11).
- 8 Lasciate la macchina per caffè all'americana in funzione finché il processo di pulizia non è stato completato.
- 9 Svuotate la caraffa.

5 Modalità d'uso dell'apparecchio

5.1 Riempimento del serbatoio dell'acqua

1 Aprite il coperchio del serbatoio dell'acqua e riempite il serbatoio con acqua fredda nella quantità richiesta. (fig. 6)

Quando aprite il coperchio del serbatoio dell'acqua, troverete le indicazioni da 2 a 10 tazze. Potete utilizzare queste indicazioni per determinare la quantità d'acqua da inserire nel serbatoio. Il colore cambia da chiaro a scuro per ogni tazza riempita di acqua. Inoltre, potete utilizzare l'indicatore del livello dell'acqua nella caraffa.

 **Nota:**

non riempite il serbatoio dell'acqua oltre l'indicazione di 10 tazze.

5.2 Utilizzo di caffè in grani

 **Avviso:**

Tenete sempre il coperchio del serbatoio dell'acqua chiuso quando riempite il contenitore del caffè in grani. In caso contrario eventuali grani di caffè possono cadere nel serbatoio dell'acqua e bloccare l'ingresso dell'acqua.

1 Rimuovete il coperchio del contenitore del caffè in grani. (fig. 12)

2 Riempite il doppio contenitore di caffè in grani con caffè in grani. Potete riempirlo con due tipi diversi di caffè. Assicuratevi che la quantità di caffè in grani sia sufficiente per l'erogazione del caffè desiderato (fig. 13).

 **Nota:**

assicuratevi che il contenitore del caffè in grani sia sempre almeno mezzo pieno.

 **Avviso:**

per evitare che il macinacaffè si blocchi, non usate chicchi di caffè non tostati o caramellati. Consigliamo di usare caffè in grani non per espresso, poiché potrebbero causare danni all'apparecchio.

3 Per aprire il portafiltro, tirate la linguetta presente sul lato destro della macchina per caffè all'americana (fig. 14).

4 Prendete un filtro di carta (tipo 1x4 o n. 4) e piegate i margini sigillati per evitare che si rompano. Posizionate il filtro nel relativo portafiltro. (fig. 15)

5 Chiudete il portafiltro.

6 Posizionate la caraffa nell'apparecchio. (fig. 7)

7 Ruotate la manopola di regolazione della macinatura per selezionare il tipo desiderato (dalla macinatura fine a quella grossolana). (fig. 16)

 **Consiglio:**

la manopola di regolazione della macinatura vi consente di scegliere tra nove impostazioni diverse. Abbiamo preselezionato 3 eccellenti impostazioni ma potete sceglierne anche altre presenti tra le icone. Vi consigliamo di provare varie impostazioni di macinatura per scoprire quella che preferite.

8 Ruotate il selettore del contenitore per scegliere tra due tipi di caffè in grani (fig. 17).

 **Avviso:**

cambiando contenitori di caffè in grani o tipi di chicchi di caffè, è probabile che rimangano residui lasciati dalla macinatura precedente o dal caffè in grani precedentemente impiegato. Per evitare che ciò accada, pulite lo scivolo del caffè in grani.

 **Nota:**

in base al vostro gusto, potete selezionare uno dei due tipi di caffè in grani oppure un mix di entrambi i tipi.

9 Premete il pulsante on/off sulla parte anteriore dell'apparecchio (fig. 8).

- *Il numero delle tazze inizia a lampeggiare.*

- 10** Per selezionare il numero di tazze, ruotate la manopola finché il numero desiderato non appare sul display (fig. 18).

 **Nota:**

Assicuratevi che il numero di tazze selezionato tramite il pulsante 2-10 CUPS sia compatibile con la quantità di acqua presente nel serbatoio. Tenete presente che la macchina per caffè utilizza tutta l'acqua nel serbatoio. Se selezionate un numero di tazze inferiore alla quantità di acqua, il caffè sarà meno forte.

- 11** Premete il centro della manopola per confermare il numero di tazze.
- 12** Premete il pulsante di selezione dell'intensità. (fig. 9)
- *Le icone del caffè in grani iniziano a lampeggiare.*
- 13** Ruotate la manopola per selezionare l'intensità del caffè desiderata (leggera: 1 chicco; media: 2 chicchi; forte: 3 chicchi) (fig. 10).
- *Sul display viene visualizzata l'intensità selezionata.*

 **Consiglio:**

vi consigliamo di provare varie quantità di acqua per scoprire l'intensità che preferite. Se selezionate un numero di tazze più alto rispetto alla quantità di acqua, il caffè sarà più intenso. Se, invece, selezionate un numero di tazze inferiore alla quantità di acqua, il caffè sarà meno intenso.

- 14** Premete il centro della manopola per confermare, quindi premetelo di nuovo per avviare l'erogazione (fig. 19).
- *Il macinacaffè macina la quantità richiesta di caffè in grani.*
- 15** Prima di rimuovere la caraffa attendete finché la macchina per caffè all'americana non ha terminato l'erogazione.

 **Nota:**

Dopo l'erogazione, il caffè gocciola dal cestello del filtro per diversi secondi.

5.3 Utilizzo di caffè pre-macinato

Se volete usare caffè pre-macinato invece di caffè in grani, seguite i passaggi riportati sotto.

- 1** Aprite il coperchio del serbatoio dell'acqua e riempite il serbatoio con acqua fredda nella quantità richiesta. (fig. 6)
- 2** Per aprire il portafiltro, tirate la linguetta presente sul lato destro della macchina per caffè all'americana (fig. 14).
- 3** Prendete un filtro di carta (tipo 1x4 o n. 4) e piegate i margini sigillati per evitare che si rompano. Posizionate il filtro nel relativo portafiltro (fig. 15).
- 4** Posizionate il caffè pre-macinato nel filtro di carta.

 **Nota:**

potete regolare l'intensità del caffè in base al vostro gusto personale. Per una tazza di caffè medio-forte, usate un misurino (circa 6 g) di caffè macinato per ogni tazza (120 ml). Per un caffè più forte, utilizzate un misurino e mezzo di caffè macinato per ogni tazza.

- 5** Chiudete il portafiltro.
- 6** Posizionate la caraffa nell'apparecchio (fig. 7).
- 7** Premete il pulsante on/off (fig. 8).
- *Il display si accende.*
- 8** Premete il pulsante di selezione dell'intensità (fig. 9).
- 9** Ruotate la manopola per scegliere l'impostazione del caffè pre-macinato (fig. 10).
- *L'icona del caffè pre-macinato si accende.*
- 10** Premete il centro della manopola per confermare, quindi premetelo di nuovo per avviare l'erogazione (fig. 11).
- 11** Prima di rimuovere la caraffa attendete finché la macchina per caffè all'americana non ha terminato l'erogazione.

 **Nota:**

Dopo l'erogazione, il caffè gocciola dal cestello del filtro per diversi secondi.

5.4 Impostazione del timer

Il timer vi consente di programmare l'orario desiderato per l'inizio dell'erogazione. Assicuratevi che tutte le fasi di preparazione del caffè siano svolte con caffè premacinato o in chicchi prima di impostare il timer.

- 1 Premete il pulsante del timer: (fig. 20)
 - *Sul display lampeggiano le cifre 00:00 a indicare che è necessario impostare il timer.*
- 2 Ruotate la manopola per impostare l'ora (fig. 21).
- 3 Premete il centro della manopola per confermare l'ora (fig. 22).
 - *I minuti iniziano a lampeggiare a indicare che è necessario impostarli.*
- 4 Ruotate la manopola per impostare i minuti (fig. 23).
- 5 Premete il centro della manopola per confermare i minuti (fig. 24).
 - *Il timer viene impostato e il processo di erogazione del caffè inizierà all'ora scelta.*

5.5 Funzione antigoccia

La funzione antigoccia vi permette di rimuovere la caraffa dalla macchina per caffè all'americana prima che il processo di erogazione sia terminato. Quando rimuovete la caraffa, il sistema antigoccia interrompe il flusso di caffè al suo interno.

Nota:

il processo di erogazione non si interrompe quando viene rimossa la caraffa. Se non inserite nuovamente la caraffa nell'apparecchio entro 20 secondi, il caffè fuoriesce dal cestello del filtro.

6 Pulizia e manutenzione

6.1 Pulizia dopo ogni utilizzo

Avviso:

Non immergete l'apparecchio nell'acqua o in altri liquidi e non risciacquatelo sotto l'acqua corrente.

- 1 Premete il pulsante on/off sulla parte anteriore dell'apparecchio per spegnerlo. (fig. 25)
- 2 Scollegate la spina dalla presa a muro.
- 3 Pulite con un panno umido la superficie esterna della macchina per caffè (fig. 26).
- 4 Pulite il cestello del filtro e la caraffa in lavastoviglie oppure con acqua calda e detersivo.

6.2 Pulizia dello scivolo del caffè in grani

Cambiando contenitori di caffè in grani o tipi di chicchi di caffè, è probabile che rimangano residui lasciati dalla macinatura precedente o dal caffè in grani precedentemente impiegato, i quali possono alterare il gusto del caffè. Per evitare che il caffè macinato e le tracce nello scivolo del caffè in grani si mescolino, pulite lo scivolo del caffè in grani ogni 1/2 settimane o quando cambiate i contenitori di caffè in grani. Se avete cambiato il tipo di caffè in grani, seguite i passaggi riportati di seguito per assicurare un gusto ottimale.

- 1 Premete il pulsante on/off sulla parte anteriore dell'apparecchio per spegnerlo (fig. 25).
- 2 Per aprire il portafiltro, tirate la linguetta presente sul lato destro della macchina per caffè all'americana (fig. 14).
- 3 Prendete un filtro di carta (tipo 1x4 o n. 4) e piegate i margini sigillati per evitare che si rompano. Posizionate il filtro nel relativo portafiltro. (fig. 15)
- 4 Chiudete il portafiltro.

5 Inserite la parte piatta dell'impugnatura della spazzolina per la pulizia nell'eiettore dello scivolo del caffè in grani e premetela verso il basso (fig. 27).

Nota:

se volete pulire lo scivolo del caffè in grani rapidamente utilizzando solo la spazzolina, continuate con il passaggio 7. Se volete evitare che le tracce di caffè macinato alterino il gusto del vostro nuovo caffè in grani, continuate con il passaggio 6.

6 Tenete premuto il pulsante di selezione dell'intensità per 4 secondi (fig. 28).

- *Il macinacaffè inizia la pulizia automatica.*

7 Quando il macinacaffè ha terminato la pulizia, usate l'apposita spazzolina per rimuovere i residui di caffè macinato nella parte inferiore dello scivolo (fig. 29).

- *I residui di caffè macinato cadono nel cestello del filtro.*

Avviso:

non fate cadere la spazzolina nello scivolo del caffè in grani.

8 Chiudete il coperchio dello scivolo del caffè in grani.

9 Togliete il filtro di carta con i residui di caffè macinato e gettatelo via.

6.3 Pulizia anticalcare

Se la macchina per caffè emette vapore in eccesso o ha un tempo di erogazione prolungato, eseguite la pulizia anticalcare. Consigliamo di eseguire la pulizia anticalcare ogni due mesi. Per la decalcificazione, utilizzate solo aceto bianco, poiché gli altri prodotti potrebbero causare danni alla macchina.

Avviso:

Non utilizzate mai aceto con un contenuto pari o superiore all'8% di acido acetico, aceto naturale, anticalcare in polvere o in tavolette per rimuovere il calcare dall'apparecchio per evitare di danneggiarlo.

1 Aprite il coperchio del serbatoio dell'acqua.

2 Riempite il serbatoio dell'acqua con 8 tazze di aceto bianco (4% acido acetico) e 2 tazze di acqua (fig. 6).

3 Posizionate un filtro di carta (n. 4) nel cestello del filtro e chiudete il portafiltro (fig. 15).

4 Posizionate la caraffa vuota nell'apparecchio (fig. 7).

5 Inserite la spina nella presa di corrente a muro.

6 Premete il pulsante on/off sulla parte anteriore dell'apparecchio per accenderlo (fig. 8).

- *Il display si accende.*

7 Premete il pulsante di selezione dell'intensità e ruotate la manopola per scegliere l'impostazione del caffè pre-macinato (fig. 10).

8 Premete il centro della manopola per confermare, quindi premetelo di nuovo per avviare l'erogazione (fig. 11).

9 Attendete finché la metà della soluzione di aceto-acqua non si sia riversata nella caraffa, quindi premete il pulsante on/off per interrompere il processo di erogazione e lasciate riposare la soluzione per almeno 15 minuti (fig. 30).

10 Premete il pulsante on/off per accendere nuovamente la macchina per caffè all'americana (fig. 8).

11 Premete due volte il centro della manopola per lasciare che l'apparecchio completi il processo di erogazione del caffè (fig. 19).

12 Svotate la caraffa e gettate il filtro di carta.

13 Riempite il serbatoio dell'acqua con acqua fredda e premete due volte il centro della manopola per avviare un altro processo di erogazione del caffè. Lasciate che la macchina per caffè all'americana abbia completato l'intero processo di erogazione e svotate la caraffa.

14 Ripetete il passaggio 13 fino a quando l'acqua non perde il sapore o l'odore di aceto.

15 Pulite il cestello del filtro e la caraffa in lavastoviglie oppure con acqua calda e detersivo.

16 Premete il pulsante on/off sulla parte anteriore dell'apparecchio per spegnerlo.

7 Ordinazione degli accessori

Per acquistare accessori o parti di ricambio, visitate il sito **www.shop.philips.com/service** oppure recatevi presso il vostro rivenditore Philips. Potete contattare anche il centro assistenza Philips del vostro paese (per i dettagli di contatto, consultate l'opuscolo della garanzia internazionale).

8 Riciclaggio

- Questo simbolo indica che il prodotto è conforme alla Direttiva Europea 2012/19/EU. Informatevi sulle normative locali relative alla raccolta differenziata dei prodotti elettrici ed elettronici ed attenetevi a quest'ultime. Non smaltite mai questi prodotti con gli altri rifiuti domestici. Lo smaltimento corretto dei vostri prodotti usati contribuisce a prevenire potenziali effetti negativi sull'ambiente e sulla salute (fig. 31).

9 Garanzia e assistenza

Per assistenza o informazioni, visitate il sito Web all'indirizzo **www.philips.com/support** oppure leggete l'opuscolo della garanzia internazionale.

10 Risoluzione dei problemi

Questo capitolo riassume i problemi più comuni che potreste riscontrare con l'apparecchio. Se non riuscite a risolvere il problema con le informazioni riportate sotto, visitate il sito **www.philips.com/support** per un elenco di domande frequenti o contattate il centro assistenza clienti del vostro paese.

L'apparecchio non funziona.

- Inserite la spina di alimentazione nella presa a muro e premete il pulsante on/off sulla parte anteriore dell'apparecchio per accenderlo.
- Verificate che la tensione indicata sull'apparecchio corrisponda a quella della tensione locale.
- Riempite d'acqua il serbatoio.
- Chiudete il coperchio dello scivolo del caffè in grani.

Quando si utilizza il macinacaffè, il gusto del caffè risulta troppo leggero.

- Assicuratevi che il numero di tazze selezionato tramite il pulsante 2-10 tazze sia compatibile con la quantità di acqua presente nel serbatoio. Tenete presente che la macchina per caffè utilizza tutta l'acqua nel serbatoio.
- Usate il pulsante di selezione dell'intensità per impostare l'intensità del caffè su "forte".
- Quando usate il caffè in grani, assicuratevi di non premere il pulsante del caffè pre-macinato poiché in questo modo il macinacaffè si spegne.
- Usate caffè in grani di una miscela/gusto più forte.
- Assicuratevi che il numero di tazze selezionato sia compatibile con la quantità di acqua presente nel serbatoio.

Quando si usa caffè pre-macinato, l'aroma risulta troppo leggero.

- Assicuratevi che la quantità di caffè pre-macinato nel filtro sia compatibile con la quantità di acqua presente nel serbatoio. Tenete presente che l'apparecchio utilizza tutta l'acqua nel serbatoio.
- Usate caffè macinato di una miscela/gusto più forte.
- Per aumentare l'intensità del caffè, aumentate la quantità di caffè pre-macinato o diminuite la quantità di acqua.

Il filtro trabocca quando viene rimossa la caraffa dall'apparecchio durante la preparazione del caffè.

- Se rimuovete la caraffa per più di 20 secondi durante il processo di erogazione, il sistema antigoccia causa la fuoriuscita del caffè dal cestello del filtro. Tenete inoltre presente che l'intensità finale del caffè si raggiunge solo a conclusione del processo di erogazione. Vi consigliamo pertanto di non rimuovere la caraffa e di non versare il caffè prima della fine del processo di erogazione.

L'apparecchio continua a perdere acqua anche molto tempo dopo il processo di erogazione.

- La fuoriuscita di acqua è causata dalla condensazione del vapore. Si tratta di un fenomeno normale che può verificarsi.
- Se il problema persiste, il sistema antigoccia potrebbe essere ostruito. Per pulirlo, tirate la linguetta del portafiltro presente sul lato destro della macchina all'americana per aprire il portafiltro. Estraiete il cestello del filtro e risciacquatelo sotto l'acqua corrente insieme al sistema antigoccia.
- Se rimuovete la caraffa per più di 20 secondi durante il processo di erogazione, il sistema antigoccia causa la fuoriuscita del caffè dal cestello del filtro.

Il caffè non è abbastanza caldo.

- Preriscaldate la caraffa con acqua calda prima di preparare il caffè.
- Il caffè nella caraffa si raffredda più velocemente se volete preparare solo qualche tazza. Il caffè resta caldo più a lungo se preparate 10 tazze, che corrisponde a una caraffa piena.
- Utilizzate tazze sottili perché assorbono meno calore dal caffè rispetto a quelle spesse.
- Non utilizzate latte appena tolto dal frigorifero.
- Eseguite la pulizia anticalcare. Consultare la sezione "Pulizia anticalcare" nel capitolo "Pulizia e manutenzione".

L'apparecchio non inizia la pulizia dello scivolo del caffè in grani.

- Assicuratevi che l'apparecchio sia collegato all'alimentazione.
- Assicuratevi che il coperchio dello scivolo del caffè in grani sia aperto prima di tenere premuto il pulsante di selezione dell'intensità del caffè per 4 secondi.
- Tenete premuto il pulsante di selezione dell'intensità del caffè per 4 secondi finché il macinacaffè non inizia automaticamente la pulizia.

L'apparecchio funziona ma emette un segnale acustico.

- Controllate che il coperchio dello scivolo del caffè in grani sia chiuso correttamente.

I chicchi di caffè sembrano finire rapidamente.

- Potrebbe sembrare che i chicchi di caffè finiscano rapidamente. Per ottenere una tazza di caffè perfetta, è necessaria una certa quantità di caffè macinato. La quantità di caffè in grani utilizzata dall'apparecchio per ottenere la giusta quantità di caffè macinato è normale.

1 Introductie

Gefeliciteerd met uw aankoop en welkom bij Philips! Als u volledig wilt profiteren van de ondersteuning die Philips biedt, registreer uw product dan op www.philips.com/welcome.

2 Algemene beschrijving (fig. 1)

- 1 Filtermandje
- 2 Filtermandhouder
- 3 Waterniveau-indicator
- 4 Deksel van waterreservoir
- 5 Deksel van koffiebonenreservoir
- 6 Reservoirkeuzeknop
- 7 Maalsterkteknop
- 8 Dubbel koffiebonenreservoir
- 9 Deksel van bonentrechter
- 10 Slot van bonentrechter
- 11 Watervulopening
- 12 Display
 - A Pictogram voor voorgemalen koffie
 - B Aantal koppen
 - C Pictogram van koffiekop
 - D Pictogrammen van koffiebonen voor koffiesterkte
 - E Koffiesterkteknop
 - F Timerknop
 - G Uuraanduiding
 - H Minutenaanduiding
 - I Timerpictogram
- 13 Aan/uitknop
- 14 Deksel van glazen kan
- 15 Glazen kan
- 16 Reinigingsborsteltje

3 Belangrijk

Lees deze gebruiksaanwijzing zorgvuldig door voordat u het apparaat gaat gebruiken. Bewaar de gebruiksaanwijzing om deze zo nodig later te kunnen raadplegen.

3.1 Gevaar

- Dompel het apparaat nooit in water of een andere vloeistof en spoel het ook niet af onder de kraan.

3.2 Waarschuwing

- Controleer of het voltage aangegeven op de onderkant van het apparaat overeenkomt met de plaatselijke netspanning voordat u het apparaat aansluit.
- Indien het netsnoer beschadigd is, moet u het laten vervangen door Philips, een door Philips geautoriseerd servicecentrum of personen met vergelijkbare kwalificaties om gevaar te voorkomen.
- Dit apparaat kan worden gebruikt door kinderen vanaf 8 jaar en door personen met verminderde lichamelijke, zintuiglijke of geestelijke capaciteiten of weinig ervaring en kennis, mits zij toezicht of instructie hebben ontvangen aangaande veilig gebruik van het apparaat, en zij de gevaren van het gebruik begrijpen. Reiniging en onderhoud mogen alleen door kinderen worden uitgevoerd die ouder zijn dan 8 en alleen onder toezicht. Houd het apparaat en het snoer buiten bereik van kinderen die jonger zijn dan 8 jaar oud.

- Kinderen mogen niet met het apparaat spelen.
- Laat het snoer niet over de rand van de tafel of het aanrecht hangen waarop het apparaat staat.
- Raak de maalschijven van het apparaat niet aan, vooral niet wanneer het apparaat is aangesloten op netspanning.
- Houd de verpakkingsmaterialen (plastic zakken, kartonnen buffers enz.) buiten het bereik van kinderen. De verpakkingsmaterialen zijn geen speelgoed.
- Raak de hete oppervlakken van het apparaat niet aan wanneer het apparaat in werking is.
- Dit apparaat is ontworpen om bonen te malen en dan koffie te zetten. Gebruik het apparaat voorzichtig en op de juiste wijze om verbranding door heet water en stoom te voorkomen.
- Leeg het waterreservoir niet door het apparaat te kantelen. Dit kan het apparaat beschadigen. Leeg het waterreservoir alleen door de spoelinstructie te volgen.
- Gebruik het apparaat niet indien de stekker, het netsnoer of het apparaat zelf beschadigd is.
- Als u er niet in slaagt een probleem op te lossen met behulp van de informatie in deze gebruiksaanwijzing, neem dan contact op met het Consumer Care Centre in uw land. Als het probleem niet kan worden opgelost, breng het apparaat dan naar een door Philips geautoriseerd servicecentrum voor onderzoek

of reparatie. Probeer niet zelf het apparaat te repareren, omdat uw garantie hierdoor komt te vervallen.

3.3 Let op

- Plaats het apparaat niet op een heet oppervlak en voorkom dat het netsnoer in contact komt met hete oppervlakken.
- Haal de stekker van het apparaat uit het stopcontact als er tijdens het malen van bonen of het koffiezetten problemen optreden, en voordat u het apparaat gaat schoonmaken.
- Verplaats het apparaat niet wanneer het in werking is.
- Het apparaat wordt heet tijdens gebruik. Laat het apparaat afkoelen voor u het opbergt.
- Tijdens het koffiezetten worden het onderste deel van het apparaat en de onderkant van de kan heet.
- Controleer nadat u het apparaat hebt uitgepakt, of het compleet en onbeschadigd is. Als u twijfelt, gebruik het apparaat dan niet en neem contact op met het Consumer Care Centre in uw land.
- Dit apparaat is uitsluitend bedoeld voor normaal huishoudelijk gebruik. Het apparaat is niet bedoeld voor gebruik in personeelskeukens van bijvoorbeeld winkels, kantoren, boerderijen of vergelijkbare werkomgevingen en ook niet voor gebruik door gasten van hotels, motels, bed & breakfasts en andere verblijfsaccommodaties.

3.4 Elektromagnetische velden (EMV)

Dit Philips-apparaat voldoet aan alle toepasbare richtlijnen en voorschriften met betrekking tot blootstelling aan elektromagnetische velden.

4 Voor het eerste gebruik

4.1 De kloktijd instellen

- 1 Steek de stekker in het stopcontact.
 - *Op het display knippert 00:00 om aan te geven dat u de kloktijd moet instellen.*
- 2 Draai aan de knop om het uur in te stellen (fig. 2).
- 3 Druk in het midden van de knop om het uur te bevestigen (fig. 3).
 - *De minuten beginnen te knippen om aan te geven dat u de minuten moet instellen.*
- 4 Draai aan de knop om de minuten in te stellen (fig. 4).
- 5 Druk in het midden van de knop om de minuten te bevestigen (fig. 5).
- 6 Het display toont de ingestelde kloktijd. De koffiezetter is klaar voor gebruik.

4.2 De automatische uitschakeltijd instellen

U kunt de tijd instellen waarop het apparaat automatisch wordt uitgeschakeld. De standaardtijd is ingesteld op 30 minuten. U kunt deze tijd aanpassen tot een maximum van 120 minuten. Als u de automatische uitschakeltijd wilt aanpassen, volg dan onderstaande stappen.

- 1 Zorg ervoor dat het apparaat is uitgeschakeld (laat de stekker wel in het stopcontact zitten).
- 2 Houd het midden van de knop ingedrukt tot het display begint te knippen.

- 3 Draai de knop om de tijd langer of korter te maken. 1 is 10 minuten, 2 is 20 minuten, 3 is 30 minuten enz. Dit gaat door tot 12 is 120 minuten.
- 4 Druk in het midden van de knop om de minuten te bevestigen.

Opmerking:

Het apparaat slaat altijd de laatst gekozen instelling op.

4.3 Het apparaat doorspoelen

Voor het eerste gebruik dient u de koffiezetter eenmaal door te spoelen.

- 1 Open het deksel van het waterreservoir. Vul het waterreservoir met vers koud water **tot de 8-kopsaanduiding** (fig. 6)

Opmerking:

Vul het apparaat niet met koffiebonen of gemalen koffie.

- 2 Sluit het deksel van het waterreservoir.
- 3 Plaats de kan in het apparaat (fig. 7).
- 4 Druk op de aan/uitknop (fig. 8).
 - *Het display gaat branden.*
- 5 Druk op de koffiesterkteknop (fig. 9).
- 6 Draai aan de knop om de instelling voor voorgemalen koffie te kiezen (fig. 10).
 - *Het pictogram voor voorgemalen koffie gaat branden.*
- 7 Druk in het midden van de knop om uw keuze te bevestigen. Druk vervolgens opnieuw in het midden van de knop om het doorspoelproces te starten (fig. 11).
- 8 Laat het apparaat werken tot het doorspoelproces is voltooid.
- 9 Leeg de kan.

5 Het apparaat gebruiken

5.1 Het waterreservoir vullen

- 1 Open het deksel van het waterreservoir en vul het waterreservoir met de benodigde hoeveelheid koud water: (fig. 6)
Wanneer u het deksel van het waterreservoir opent, zijn er aan de binnenzijde van het apparaat aanduidingen voor 2 tot 10 kopjes. Hieraan kunt u zien hoeveel water u in het waterreservoir moet doen. De reflectie verandert van licht in donker per gevulde kop. U kunt ook de waterniveau-indicator op de kan gebruiken.

Opmerking:

Vul het waterreservoir nooit tot boven de 10-kopsaanduiding.

5.2 Met koffiebonen

Waarschuwing:

Houd altijd het deksel van het waterreservoir gesloten wanneer u het koffiebonenreservoir met koffiebonen vult. Anders kunnen de koffiebonen in het waterreservoir vallen en de waterinlaat verstopen.

- 1 Verwijder het deksel van het koffiebonenreservoir: (fig. 12)
- 2 Vul het dubbele koffiebonenreservoir met koffiebonen. U kunt het dubbele koffiebonenreservoir vullen met twee verschillende soorten koffiebonen. Zorg ervoor dat er genoeg koffiebonen in het reservoir zitten voor de hoeveelheid koffie die u wilt zetten (fig. 13).

Opmerking:

Zorg er altijd voor dat het koffiebonenreservoir ten minste voor de helft is gevuld.

Waarschuwing:

Gebruik geen ongebrande of gekaramelliseerde bonen, anders kan de molen vastlopen. We raden u aan koffiebonen te gebruiken in plaats van espressobonen, anders kan de machine beschadigd raken.

- 3 Trek aan het lipje op de rechterkant van de filtermandhouder om de filtermandhouder te openen (fig. 14).
- 4 Neem een papieren filterzakje (type 1x4 of nr. 4) en vouw de naden om, om scheuren en dichtklappen tijdens het koffiezetten te voorkomen. Plaats het filterzakje in de filtermand. (fig. 15)
- 5 Sluit de filtermandhouder.
- 6 Plaats de kan in het apparaat. (fig. 7)
- 7 Draai de maalsterkteknop naar de gewenste maling; van fijn tot grof. (fig. 16)

Tip:

Met de maalsterkteknop kunt u kiezen uit negen verschillende instellingen. We hebben 3 optimale instellingen voorgeselecteerd maar u kunt ook kiezen voor een instelling tussen de pictogrammen. Experimenteer met de verschillende maalsterkten om te ontdekken bij welke instelling u de koffie het lekkerst vindt.

- 8 Draai aan de reservoirkeuzeknop om tussen de twee soorten koffiebonen te kiezen (fig. 17).

Waarschuwing:

Telkens als u een ander bonenreservoir of andere koffiebonen gebruikt, blijven er resten achter van de vorige koffiebonen die zijn gemalen. Maak daarom de koffiebonentrechter schoon nadat u een ander bonenreservoir of andere koffiebonen hebt gekozen.

Opmerking:

Afhankelijk van uw smaak kunt u een van de twee soorten koffiebonen of een combinatie van beide soorten selecteren.

- 9 Druk op de aan/uitknop op de voorzijde van het apparaat (fig. 8).
- **Het aantal koppen begint te knippen.**
- 10 Selecteer het aantal koppen door aan de knop te draaien tot het gewenste aantal koppen op het display wordt weergegeven (fig. 18).

 **Opmerking:**

Zorg ervoor dat het aantal koppen dat u instelt met de 2-10-kops knop overeenkomt met de hoeveelheid water in het waterreservoir. Bedenk daarbij wel dat de koffiezetter al het water in het waterreservoir gebruikt. Als het aantal koppen dat u kiest minder is dan de hoeveelheid water in het reservoir, dan wordt de koffie slapper.

- 11 Druk in het midden van de knop om het aantal koppen te bevestigen.
- 12 Druk op de koffiesterkteknop. (fig. 9)
- **De pictogrammen van de koffiebonen beginnen te knippen.**
- 13 Draai aan de knop om de gewenste koffiesterkte te selecteren (mild: 1 boon; normaal: 2 bonen; sterk: 3 bonen) (fig. 10).
- **Op het display verschijnt de geselecteerde koffiesterkte.**

 **Tip:**

We raden u aan te experimenteren met de hoeveelheid water om uw favoriete sterkte te bepalen. Als u een aantal koppen selecteert dat groter is dan de hoeveelheid water, wordt de koffie sterker. Als u een aantal koppen selecteert dat kleiner is dan de hoeveelheid water, wordt de koffie milder.

- 14 Druk in het midden van de knop om uw keuze te bevestigen. Druk vervolgens opnieuw in het midden van de knop om het koffiezetten te starten (fig. 19).
- **De molen maakt de noodzakelijke hoeveelheid koffiebonen.**
- 15 Wacht tot de koffiezetter is gestopt met koffiezetten voordat u de kan verwijdert.

 **Opmerking:**

Na het koffiezetten druppelt er nog enkele seconden koffie uit de filtermand.

5.3 Met voorgemalen koffie

Volg de onderstaande stappen als u voorgemalen koffie wilt gebruiken in plaats van koffiebonen.

- 1 Open het deksel van het waterreservoir en vul het waterreservoir met de benodigde hoeveelheid koud water. (fig. 6)
- 2 Trek aan het lipje op de rechterkant van de filtermandhouder om de filtermandhouder te openen (fig. 14).
- 3 Neem een papieren filterzakje (type 1x4 of nr. 4) en vouw de naden om, om scheuren en dichtklappen tijdens het koffiezetten te voorkomen. Plaats het filterzakje in de filtermand (fig. 15).
- 4 Schep voorgemalen koffie in het filterzakje.

 **Opmerking:**

U kunt de koffiesterkte aanpassen aan uw eigen voorkeur. Voor een kop koffie met normale sterkte gebruikt u één maatlepel (circa 6 gram) gemalen koffie per kop (120 ml). Voor sterkere koffie gebruikt u 1,5 maatlepel gemalen koffie per kop.

- 5 Sluit de filtermandhouder.
- 6 Plaats de kan in het apparaat (fig. 7).
- 7 Druk op de aan/uitknop (fig. 8).
- **Het display gaat branden.**
- 8 Druk op de koffiesterkteknop (fig. 9).
- 9 Draai aan de knop om de instelling voor voorgemalen koffie te kiezen (fig. 10).
- **Het pictogram voor voorgemalen koffie gaat branden.**
- 10 Druk in het midden van de knop om uw keuze te bevestigen. Druk vervolgens opnieuw in het midden van de knop om het koffiezetten te starten (fig. 11).
- 11 Wacht tot de koffiezetter is gestopt met koffiezetten voordat u de kan verwijdert.

 **Opmerking:**

Na het koffiezetten druppelt er nog enkele seconden koffie uit de filtermand.

5.4 De timer instellen

Met de timer kunt u de tijd programmeren waarop u wilt dat de koffie wordt gezet. Zorg ervoor dat alle stappen voor het koffiezetten zijn gedaan met (gemalen) koffiebonen voordat u de timer instelt.

- 1 Druk op de timerknop. (fig. 20)
 - *Op het display knippert 00:00 om aan te geven dat u de timer moet instellen.*
- 2 Draai aan de knop om het uur in te stellen (fig. 21).
- 3 Druk in het midden van de knop om het uur te bevestigen (fig. 22).
 - *De minuten beginnen te knipperen om aan te geven dat u de minuten moet instellen.*
- 4 Draai aan de knop om de minuten in te stellen (fig. 23).
- 5 Druk in het midden van de knop om de minuten te bevestigen (fig. 24).
 - *De timer is ingesteld en de koffie wordt op de ingestelde tijd gezet.*

5.5 Druppelstopfunctie

Dankzij de druppelstopfunctie kunt u de kan uit de koffiezetter verwijderen voordat het koffiezetten is beëindigd is. Wanneer u de kan verwijdert, zorgt de druppelstop ervoor dat er geen koffie meer in de kan stroomt.

Opmerking:

Het koffiezetproces stopt niet wanneer u de kan verwijdert. Als u de kan niet binnen 20 seconden terugzet in het apparaat, loopt de filtermand over.

6 Reiniging en onderhoud

6.1 Schoonmaken na ieder gebruik

Waarschuwing:

Dompel het apparaat nooit in water of een andere vloeistof en spoel het ook niet af onder de kraan.

- 1 Druk op de aan/uitknop op de voorzijde van het apparaat om het apparaat uit te schakelen. (fig. 25)
- 2 Haal de stekker uit het stopcontact.
- 3 Veeg de buitenkant van de koffiezetter schoon met een vochtige doek (fig. 26).
- 4 Maak de filtermand en de kan schoon in de vaatwasmachine of met warm water en een beetje afwasmiddel.

6.2 De bonentrechter schoonmaken

Telkens als u het andere koffiebonenreservoir of andere koffiebonen gebruikt, blijven er resten achter van de vorige koffiebonen die zijn gemalen. Reinig de bonentrechter om de 1 tot 2 weken of telkens wanneer u het andere koffiebonenreservoir gebruikt om te voorkomen dat de resten met de versgemalen koffie worden vermengd. Stapt u over naar een nieuwe soort koffiebonen, volg dan de onderstaande stappen om een optimale smaak te garanderen.

- 1 Druk op de aan/uitknop op de voorzijde van het apparaat om het apparaat uit te schakelen (fig. 25).
- 2 Trek aan het lipje op de rechterkant van de filtermandhouder om de filtermandhouder te openen (fig. 14).
- 3 Neem een papieren filterzakje (type 1x4 of nr. 4) en vouw de naden om, om scheuren en dichtklappen tijdens het koffiezetten te voorkomen. Plaats het filterzakje in de filtermand. (fig. 15)

- 4 Sluit de filtermandhouder.
- 5 Steek de platte kant van het handvat van het schoonmaakborsteltje in de bonentrechter en duw het omlaag (fig. 27).

 **Opmerking:**

Als u de bonentrechter snel wilt schoonmaken met alleen het borsteltje, gaat u verder met stap 7. Als u wilt voorkomen dat resten van gemalen koffie van invloed zijn op de smaak van uw nieuwe koffiebonen, gaat u verder met stap 6.

- 6 Houd de koffiesterkteknop 4 seconden ingedrukt (fig. 28).

- *De molen reinigt zichzelf.*

- 7 Wacht tot de molen klaar is met reinigen en gebruik daarna het schoonmaakborsteltje om resten gemalen koffie naar het onderste deel van de trechter te borstelen (fig. 29).

- *De resten gemalen koffie vallen in de filtermand.*

 **Waarschuwing:**

Laat het borsteltje niet in de bonentrechter vallen.

- 8 Sluit het deksel van de bonentrechter.
- 9 Verwijder het filterzakje met de resten gemalen koffie en gooi het weg.

6.3 De koffiezetter ontkalken

Ontkalk de koffiezetter wanneer het apparaat buitensporig veel stoom produceert of wanneer het koffiezetten langer duurt. Het is raadzaam om iedere twee maanden te ontkalken. Gebruik alleen blanke azijn om te ontkalken; andere producten kunnen de koffiezetter beschadigen.

 **Waarschuwing:**

Gebruik nooit azijn met een azijnzuurpercentage van 8% of hoger, natuurazijn, een ontkalker op poederbasis of een ontkalker in tabletvorm om het apparaat te ontkalken, omdat dit schade kan veroorzaken.

- 1 Open het deksel van het waterreservoir.
- 2 Vul het waterreservoir met 8 koppen blanke azijn (4% azijnzuur) en 2 koppen water (fig. 6).
- 3 Plaats een filterzakje (nr. 4) in de filtermand en sluit de filtermandhouder (fig. 15).
- 4 Plaats de lege kan in het apparaat (fig. 7).
- 5 Steek de stekker in het stopcontact.
- 6 Druk op de aan/uitknop op de voorzijde van het apparaat om het apparaat in te schakelen (fig. 8).
 - *Het display gaat branden.*
- 7 Druk op de koffiesterkteknop en draai aan de knop om de instelling voor voorgemalen koffie te selecteren (fig. 10).
- 8 Druk in het midden van de knop om uw keuze te bevestigen. Druk vervolgens opnieuw in het midden van de knop om het koffiezetten te starten (fig. 11).
- 9 Wacht tot de helft van de azijn-wateroplossing in de kan is gelopen. Druk vervolgens op de aan/uitknop om het koffiezetproces te stoppen en de oplossing minimaal 15 minuten te laten inwerken (fig. 30).
- 10 Druk op de aan/uitknop om de koffiezetter weer in te schakelen (fig. 8).
- 11 Druk tweemaal in het midden van de knop om het apparaat het koffiezetproces te laten voltooien (fig. 19).
- 12 Leeg de kan en gooi het filterzakje weg.
- 13 Vul het waterreservoir met koud water en druk tweemaal in het midden van de knop om het koffiezetproces nogmaals te starten. Laat het koffiezetapparaat het volledige koffiezetproces doorlopen en leeg de kan.
- 14 Herhaal stap 13 tot het water niet meer naar azijn smaakt of ruikt.
- 15 Maak de filtermand en de kan schoon in de vaatwasmachine of met warm water en een beetje afwasmiddel.
- 16 Druk op de aan/uitknop op de voorzijde van het apparaat om het apparaat uit te schakelen.

7 Accessoires bestellen

Ga naar www.shop.philips.com/service om accessoires en reserveonderdelen te kopen of ga naar uw Philips-dealer. U kunt ook contact opnemen met het Philips Consumer Care Centre in uw land (zie het 'worldwide garantie'-vouwblad voor contactgegevens).

8 Recycling

- Dit symbool op een product betekent dat het product voldoet aan EU-richtlijn 2012/19/EG. Win inlichtingen in over de gescheiden inzameling van afval van elektrische en elektronische producten. Volg de lokale regels en gooi het product nooit weg bij het gewone huishoudelijke afval. Door u op de juiste manier van oude producten te ontdoen, voorkomt u negatieve gevolgen voor het milieu en de volksgezondheid (fig. 31).

9 Garantie en ondersteuning

Als u informatie of ondersteuning nodig hebt, ga dan naar www.philips.com/support of lees het 'worldwide garantie'-vouwblad.

10 Problemen oplossen

Dit hoofdstuk behandelt in het kort de problemen die u kunt tegenkomen tijdens het gebruik van het apparaat. Als u het probleem niet kunt oplossen met de informatie hieronder, ga dan naar www.philips.com/support voor een lijst met veelgestelde vragen of neem contact op met het Consumer Care Centre in uw land.

Het apparaat werkt niet.

- Steek de stekker in het stopcontact en druk op de aan/uitknop op de voorzijde van het apparaat om het apparaat in te schakelen.
- Controleer of het voltage dat is aangegeven op het apparaat overeenkomt met de plaatselijke netspanning.
- Vul het waterreservoir met water.
- Sluit het deksel van de bonentrechter.

Als ik de molen gebruik, is de koffie te slap.

- Zorg ervoor dat het aantal koppen dat u instelt met de 2-10-kops knop overeenkomt met de hoeveelheid water in het waterreservoir. Bedenk daarbij wel dat de koffiEZetter al het water in het waterreservoir gebruikt.
- Gebruik de koffiEZterkteknop om de koffiEZterkte op 'sterk' in te stellen.
- Als u koffiEZbonen gebruikt, zorg er dan voor dat u niet op de knop voor voorgemalen koffiEZ drukt, aangezien hierdoor de molen wordt uitgeschakeld.
- Gebruik koffiEZbonen van een sterkere melange of smaak.
- Controleer of het gekozen aantal koppen overeenkomt met de hoeveelheid water in het waterreservoir.

Als ik voorgemalen koffie gebruik, is de koffie te slap.

- Zorg ervoor dat de hoeveelheid voorgemalen koffie in het filter in overeenstemming is met de hoeveelheid water in het waterreservoir. Bedenk daarbij wel dat het apparaat al het water in het waterreservoir gebruikt.
- Gebruik gemalen koffie van een sterkere melange of smaak.
- Gebruik meer voorgemalen koffie of minder water om sterkere koffie te verkrijgen.

Het filter stroomt over wanneer ik de kan tijdens het koffiezetten uit het apparaat verwijder.

- Als u de kan tijdens het koffiezetproces meer dan 20 seconden verwijdert, zal de druppelstop de filtermand doen overstromen. Denk er bovendien aan dat de koffie zijn volledige smaak niet bereikt voor het einde van het koffiezetproces. Daarom raden wij u aan de kan niet te verwijderen en geen koffie uit te schenken voor het einde van het koffiezetproces.

Het apparaat blijft nog lang doordruppelen nadat het koffiezetproces is voltooid.

- Het druppelen wordt veroorzaakt door de condensatie van stoom. Het is volkomen normaal dat het apparaat nog even blijft doordruppelen.
- Als het druppelen niet stopt, zit de druppelstop mogelijk verstopt. Om de druppelstop schoon te maken, trekt u aan het lipje van de filtermandhouder aan de rechterkant van de koffiezetter om de houder te openen. Verwijder de filtermand. Spoel vervolgens de filtermand en de druppelstop af onder de kraan.
- Als u de kan tijdens het koffiezetproces meer dan 20 seconden verwijdert, zal de druppelstop de filtermand doen overstromen.

De koffie is niet heet genoeg.

- Verwarm de kan voor met heet water voordat u koffie gaat zetten.
- De koffie in de kan koelt sneller af als u maar een paar koppen koffie zet. De koffie blijft langer warm als u 10 koppen koffie zet. Dit is een volle kan.
- Gebruik dunwandige koppen omdat deze de hitte van de koffie minder absorberen dan dikwandige koppen.
- Gebruik geen melk die net uit de koelkast komt.
- Ontkalk het apparaat. Zie 'De koffiezetter ontkalken' in hoofdstuk 'Schoonmaken en onderhoud'.

Het apparaat begint niet met het schoonmaken van de bonentrechter.

- Zorg ervoor dat het apparaat is aangesloten op een stopcontact.
- Zorg ervoor dat het deksel van de bonentrechter is geopend voordat u de koffiesterkteknop 4 seconden ingedrukt houdt.
- Houd de koffiesterkteknop 4 seconden ingedrukt tot de molen zichzelf begint te reinigen.

Het apparaat werkt maar maakt een piepend geluid.

- Controleer of het deksel van de bonentrechter goed is gesloten.

Het lijkt alsof de koffiebonen te snel op zijn.

- Het kan lijken alsof de koffiebonen snel op zijn. Om verzekerd te zijn van een perfect kopje koffie is een bepaalde hoeveelheid gemalen koffie vereist. De hoeveelheid koffiebonen die het apparaat gebruikt voor de perfecte hoeveelheid gemalen koffie is normaal.

1 Innledning

Gratulerer med kjøpet og velkommen til Philips! Du får best mulig nytte av støtten som Philips tilbyr; hvis du registrerer produktet ditt på www.philips.com/welcome.

2 Generell beskrivelse (fig. 1)

- 1 Filterkurv
- 2 Filterkurvholder
- 3 Vannivåindikator
- 4 Lokk på vannbeholder
- 5 Lokk til beholder for bønner
- 6 Beholdervelger
- 7 Knapp for grovhet
- 8 Duo-kaffebønnebeholder
- 9 Lokk på kaffebønnerenne
- 10 Utstøter for kaffebønnerenne
- 11 Påfyllingsåpning for vann
- 12 Skjerm
 - A Ikon for forhåndsmalt kaffe
 - B Antall kopper
 - C Ikon for kaffekopp
 - D Ikon for valg av kaffebønnestyrke
 - E Knapp for styrkevalg
 - F Timerknapp
 - G Timeindikator
 - H Indikator for minutter
 - I Timerikon
- 13 Av/på-knapp
- 14 Glasskannelokk
- 15 Glasskanne
- 16 Rengjøringsbørste

3 Viktig

Les denne brukerveiledningen nøye før du bruker apparatet, og ta vare på den for senere referanse.

3.1 Fare

- Apparatet må ikke senkes ned i vann eller annen væske, og det må heller ikke skylles under rennende vann.

3.2 Advarsel

- Før du kobler til apparatet, må du kontrollere at spenningen som er angitt på undersiden av apparatet, stemmer overens med nettspenningen.
- Hvis ledningen er ødelagt, må den alltid skiftes ut av Philips, et servicesenter som er godkjent av Philips, eller lignende kvalifisert personell, slik at man unngår farlige situasjoner.
- Dette apparatet kan brukes av barn som er 8 år eller eldre og av personer med nedsatt sansevne eller fysisk eller psykisk funksjonsevne, eller personer med manglende erfaring eller kunnskap, dersom de får tilsyn eller instruksjoner om bruk av apparatet på en sikker måte, og hvis de forstår risikoen. Rengjøring og brukervedlikehold skal ikke utføres av barn med mindre de er eldre enn 8 år og er under oppsyn. Oppbevar apparatet og ledningen utilgjengelig for barn som er yngre enn 8 år.

- Barn skal ikke leke med apparatet.
- Ikke la ledningen henge over kanten på bordet eller benken der apparatet står.
- Ikke ta på maleverket på apparatet, det gjelder spesielt når det er koblet til en strømkilde.
- Oppbevar emballasjen (plastposer, pappmellomlegg osv.) utenfor barns rekkevidde – den er ikke et leketøy.
- Ikke berør de varme overflatene på apparatet mens det er i bruk.
- Dette apparatet er utviklet for å male bønner og lage kaffe. Bruk det riktig og forsiktig for å unngå å bli skåldet av varmt vann og damp.
- Ikke tøm vannbeholderen ved å vippe på apparatet, ettersom det kan skade apparatet. Bare tøm vannbeholderen ved å følge skylleinstruksjonene.
- Du må ikke bruke apparatet hvis støpselet, ledningen eller selve apparatet er ødelagt.
- Hvis det oppstår et problem du ikke kan løse ved hjelp av denne brukerveiledningen, tar du kontakt med forbrukersenteret i landet der du bor. Hvis problemet ikke kan løses, tar du apparatet med til et servicesenter som er godkjent av Philips, for å få det undersøkt eller reparert. Ikke prøv å reparere apparatet selv. Hvis du gjør det, vil ikke garantien gjelde lenger.

3.3 Forsiktig

- Ikke plasser apparatet på en varm overflate, og pass på at ledningen ikke kommer i kontakt med varme overflater.
- Koble fra apparatet før du rengjør det, og hvis det oppstår problemer under malingen eller traktingen.
- Ikke flytt på apparatet når det er i bruk.
- Apparatet blir varmt ved bruk. La apparatet avkjøles før du setter det bort.
- Under traktingen blir den nedre delen av apparatet og bunnen av kannen varme.
- Etter at du har pakket ut apparatet, må du kontrollere at det er helt og uskadet. Hvis du er i tvil, må du ikke bruke apparatet, men ta kontakt med kundesenteret i landet der du bor.
- Dette apparatet er kun beregnet for vanlig bruk i hjemmet. Det er ikke beregnet for bruk på f.eks. bedriftskjøkken, butikker, kontorer, bondegårder eller andre arbeidsmiljøer. Det er heller ikke beregnet for å brukes av kunder på hoteller, moteller eller i andre typer bomiljøer.

3.4 Elektromagnetiske felt (EMF)

Dette Philipsapparatet overholder alle aktuelle standarder og forskrifter for eksponering for elektromagnetiske felt.

4 Før første gangs bruk

4.1 Stille klokken

- 1 Sett støpselet i stikkkontakten.
 - *00:00 blinker på skjermen for å varsle om at du må stille klokken.*
- 2 Vri på knappen for å angi ønsket klokkeslett (fig. 2).
- 3 Trykk på midten av knappen for å bekrefte den valgte timen (fig. 3).
 - *Minuttene begynner å blinke for å varsle om at du må angi ønskede minutter.*
- 4 Vri på knappen for å angi ønskede minutter (fig. 4).
- 5 Trykk på midten av knappen for å bekrefte minuttene (fig. 5).
- 6 Skjermen viser det innstilte klokkeslettet. Kaffetrakteren er klar til bruk.

4.2 Stille inn automatisk avslåingstid

Du kan justere hvor lang tid det tar før apparatet automatisk slår seg av. Standardtiden er 30 minutter. Du kan justere denne tiden til maksimalt 120 minutter. Hvis du vil justere automatisk avslåingstid, følger du trinnene nedenfor:

- 1 Sørg for at apparatet er slått av (støpselet skal fremdeles stå i stikkkontakten).
- 2 Trykk på og hold nede midten av knappen til skjermen begynner å blinke.
- 3 Vri på knappen for å øke eller redusere tiden. 1 er 10 minutter, 2 er 20 minutter, 3 er 30 minutter og så videre frem til 12, som er 120 minutter.
- 4 Trykk på midten av knappen for å bekrefte minuttene.

 **Merk:**

Apparatet lagrer alltid den sist brukte innstillingen.

4.3 Skulle apparatet

Du må skulle kaffetrakteren én gang før bruk.

- 1 Åpne lokket på vannbeholderen. Fyll vannbeholderen med kaldt vann opp til **indikatoren for 8 kopper (fig. 6).**

 **Merk:**

Ikke legg kaffebønner eller malt kaffe i apparatet.

- 2 Lukk lokket til vannbeholderen.
- 3 Sett kannen i apparatet (fig. 7).
- 4 Trykk på av/på-knappen (fig. 8).
 - *Displayet begynner å lyse.*
- 5 Trykk på knappen for styrkevalg (fig. 9).
- 6 Vri på knappen for å velge innstillingen for forhåndsmalt kaffe (fig. 10).
 - *Ikonet for forhåndsmalt kaffe lyser.*
- 7 Trykk på midten av knappen for å bekrefte. Trykk deretter på midten av knappen på nytt for å starte skulleprosessen (fig. 11).
- 8 La apparatet kjøre til skulleprosessen er fullført.
- 9 Tøm kannen.

5 Bruke apparatet

5.1 Fylle vanntanken

- 1 Åpne lokket på vannbeholderen, og fyll vannbeholderen med mengden kaldt vann som kreves. (fig. 6)
Når du åpner lokket til vannbeholderen, ser du merker for 2 til 10 kopper på innsiden av apparatet. Du kan bruke disse merkene til å finne ut hvor mye vann du skal ha i vannbeholderen. Refleksjonen endres fra lys til mørk per kopp med vann som fylles på. Du kan også bruke vannvåindikatoren på kannen.

 **Merk:**

Ikke fyll vannbeholderen med vann over indikatoren for 10 kopper.

5.2 Bruke kaffebønner

Advarsel:

Hold alltid lokket på vannbeholderen lukket når du fyller kaffebønnebeholderen med kaffebønner. Hvis ikke kan kaffebønner falle ned i vannbeholderen og blokkere vanninntaket.

- 1 Ta av lokket på kaffebønnebeholderen. (fig. 12)
- 2 Fyll duo-kaffebønnebeholderen med kaffebønner. Du kan fylle duo-kaffebønnebeholderen med to forskjellige typer kaffebønner. Kontroller at det er nok kaffebønner i beholderen for den mengden kaffe du ønsker å trakte (fig. 13).

Merk:

Sørg alltid for at kaffebønnebeholderen er minst halvfull.

Advarsel:

Hvis du vil forhindre at kvernen settes ut av funksjon, må du ikke bruke ubrente eller karamelliserte bønner. Vi anbefaler at du bruker kaffebønner i stedet for espressobønner, da espressobønner kan medføre skade.

- 3 Hvis du vil åpne filterkurvholderen, trekker du i tappen på høyre side av kaffetrakteren (fig. 14).
- 4 Ta et papirfilter (type 1x4 eller nr. 4) og brett de forseglede kantene for å forhindre rifter og folder. Plasser papirfilteret i filterkurven. (fig. 15)
- 5 Lukk filterkurvholderen.
- 6 Sett kannen i apparatet. (fig. 7)
- 7 Vri på knappen for grovhet for å velge ønsket type maling (fra fin til grov). (fig. 16)

Tips:

Knappen for grovhet gjør at du kan velge mellom ni forskjellige innstillinger. Vi har forhåndsvalgt tre optimale innstillinger; men du kan også velge mellom alle innstillinger mellom ikonene. Vi anbefaler at du prøver deg frem med ulike maleinnstillinger til du finner den du foretrekker.

- 8 Vri på beholdervelgeren for å velge mellom de to typene kaffebønner (fig. 17).

Advarsel:

Når du veksler mellom kaffebønnebeholdere eller kaffebønner, vil det alltid være spor igjen av den tidligere typen kaffebønner som ble malt. Du må rengjøre kaffebønnerennen for å forhindre dette når du bytter til en ny type kaffebønner.

Merk:

Avhengig av hvilken smak du vil ha, kan du enten velge én av de to kaffebønnetypene eller en blanding av begge typer.

- 9 Trykk på av/på-knappen foran på apparatet (fig. 8).
 - *Antall kopper begynner å blinke.*
- 10 Vri knappen til ønsket antall kopper vises på skjermen, for å velge antall kopper (fig. 18).

Merk:

Kontroller at antallet kopper du velger med knappen for 2–10 kopper; samsvarer med mengden vann i vannbeholderen. Vær oppmerksom på at kaffetrakteren bruker alt vannet i vannbeholderen. Hvis du velger et antall kopper som er mindre enn mengden vann, blir kaffen svakere enn du hadde tenkt.

- 11 Trykk på midten av knappen for å bekrefte antall kopper.
- 12 Trykk på knappen for styrkevalg. (fig. 9).
 - *Ikonet for kaffebønner begynner å blinke.*
- 13 Vri på knappen for å velge ønsket kaffestyrke (mild: 1 bønne, medium: 2 bønner eller sterk: 3 bønner) (fig. 10).
 - *Skjermen viser den valgte kaffestyrken.*

Tips:

Vi anbefaler at du prøver deg frem med mengde vann for å finne ut hvilken styrke du foretrekker. Hvis du velger et antall kopper som er større enn mengde vann, blir kaffen sterkere. Hvis du velger antall kopper som er mindre enn mengde vann, blir kaffen svakere.

- Trykk på midten av knappen for å bekrefte, og trykk deretter på midten av knappen på nytt for å starte trakteprosessen (fig. 19).

- Maleren maler det nødvendige antallet kaffebønner.**

- Vent til kaffetrakteren har sluttet å trakte før du fjerner kannen.

Merk:

Etter traktingen drypper det kaffe fra filterkurven i flere sekunder.

5.3 Bruke forhåndsmalt kaffe

Hvis du ønsker å bruke forhåndsmalt kaffe i stedet for kaffebønner, følger du trinnene nedenfor:

- Åpne lokket på vannbeholderen, og fyll vannbeholderen med mengden kaldt vann som kreves. (fig. 6)
- Hvis du vil åpne filterkurvholderen, trekker du i tappen på høyre side av kaffetrakteren (fig. 14).
- Ta et papirfilter (type 1x4 eller nr. 4) og brett de forseglede kantene for å forhindre rifter og folder. Plasser papirfilteret i filterkurven (fig. 15).
- Legg den forhåndsmalte kaffen i papirfilteret.

Merk:

Du kan justere styrken på kaffen i henhold til din personlige smak. For en middels sterk kopp kaffe, må du bruke en måleskje (cirka 6 g) med malt kaffe for hver kopp (120 ml). For sterkere kaffe må du bruke 1,5 måleskjeer med malt kaffe for hver kopp kaffe.

- Lukk filterkurvholderen.
- Sett kannen i apparatet (fig. 7).
- Trykk på av/på-knappen (fig. 8).
 - Displayet begynner å lyse.**

- Trykk på knappen for styrkevalg (fig. 9).

- Vri på knappen for å velge innstillingen for forhåndsmalt kaffe (fig. 10).
 - Ikonet for forhåndsmalt kaffe lyser.**

- Trykk på midten av knappen for å bekrefte. Trykk deretter på midten av knappen på nytt for å starte trakteprosessen (fig. 11).

- Vent til kaffetrakteren har sluttet å trakte før du fjerner kannen.

Merk:

Etter traktingen drypper det kaffe fra filterkurven i flere sekunder.

5.4 Stille inn timeren

Med timeren kan du programmere tidspunktet du vil at traktingen skal starte. Sørg for at alle trinnene i kaffetraktingen er unnagjort med enten ferdigmalt kaffe eller kaffebønner før du stiller inn timeren.

- Trykk på timerknappen. (fig. 20)
 - 00:00 blinker på skjermen for å varsle om at du må stille timeren.**
- Vri på knappen for å angi ønsket klokkeslett (fig. 21).
- Trykk på midten av knappen for å bekrefte den valgte timen (fig. 22).
 - Minuttene begynner å blinke for å varsle om at du må angi ønskede minutter.**
- Vri på knappen for å angi ønskede minutter (fig. 23).
- Trykk på midten av knappen for å bekrefte minuttene (fig. 24).
 - Timeren er angitt og trakteprosessen starter ved forhåndsinnstilt klokkeslett.**

5.5 Dryppstoppfunksjon

Dryppstoppfunksjonen gjør at du kan fjerne kannen fra kaffetrakteren før traktesyklusen er ferdig. Når du fjerner kannen, sørger dryppstoppfunksjonen for at det slutter å renne kaffe inn i kannen.

Merk:

Trakteprosessen stopper ikke når du fjerner kannen. Hvis du ikke setter kannen tilbake på varmeplaten innen 20 sekunder, renner filterkurven over.

6 Rengjøring og vedlikehold

6.1 Rengjør etter hver gangs bruk

Advarsel:

Apparatet må ikke senkes ned i vann eller annen væske, og det må heller ikke skylles under rennende vann.

- 1 Trykk på av/på-knappen på forsiden for å slå av apparatet. (fig. 25)
- 2 Ta ut støpselet av stikkontakten.
- 3 Tørk av utsiden av kaffetrakteren med en fuktig klut (fig. 26).
- 4 Rengjør filterkurven og kannen i oppvaskmaskinen eller med varmt vann og litt oppvaskmiddel.

6.2 Rengjøre kaffebønnerennen

Når du veksler mellom kaffebønnebeholdere eller kaffebønner, vil det alltid være spor igjen etter den tidligere malte kaffebønnetypen, som kan påvirke smaken på kaffen. Rengjør kaffebønnerennen hver eller annenhver uke eller når du bytter kaffebønnebeholder, for å forhindre at nymalt kaffe og spor etter kaffe i kaffebønnerennen blandes sammen. Når du bytter til en ny type kaffebønner, må du følge trinnene nedenfor for å sikre optimal smak.

- 1 Trykk på av/på-knappen på forsiden for å slå av apparatet (fig. 25).
- 2 Hvis du vil åpne filterkurvholderen, trekker du i tappen på høyre side av kaffetrakteren (fig. 14).
- 3 Ta et papirfilter (type 1x4 eller nr. 4) og brett de forseglede kantene for å forhindre rifter og folder. Plasser papirfilteret i filterkurven. (fig. 15)
- 4 Lukk filterkurvholderen.
- 5 Sett den flate enden av håndtaket på rengjøringsbørsten inn i utstøteren for kaffebønnerennen, og trykk den ned (fig. 27).

Merk:

Hvis du vil rengjøre kaffebønnerennen raskt kun med børsten, fortsetter du med trinn 7. Hvis du vil forhindre at spor fra malt kaffe påvirker smaken av nye kaffebønner, fortsetter du med trinn 6.

- 6 Trykk og hold knappen for styrkevalg inne i fire sekunder (fig. 28).
 - *Kvernen begynner å rengjøre seg selv.*
- 7 Når kvernen har avsluttet rengjøringen, må du bruke rengjøringsbørsten til å børste restene av den malte kaffen inn i den lavere delen av rennen (fig. 29).
 - *Restene av den malte kaffen faller ned i filterkurven*

Advarsel:

Ikke mist børsten i kaffebønnerennen.

- 8 Lukk lokket på kaffebønnerennen.
- 9 Ta ut papirfilteret med restene av den malte kaffen, og kast det i søppelet.

6.3 Avkalk kaffetrakteren

Kaffetrakteren bør avkalkes når du ser at det kommer mye damp eller traktetiden økes. Det anbefales at du avkalker den annenhver måned. Bruk bare hvit eddik til å avkalk, ettersom andre produkter kan skade kaffetrakteren.

Advarsel:

Bruk aldri hvit eddik med 8 % syre eller mer, naturlig eddik, avkalkingspulver eller avkalkingstabletter for å avkalk apparatet. Dette kan føre til skader.

- 1 Åpne lokket til vannbeholderen.
- 2 Fyll vannbeholderen med 8 kopper hvit eddik (4 %) og 2 kopper vann (fig. 6).
- 3 Plasser et papirfilter (no. 4) i filterkurven, og lukk filterkurvholderen (fig. 15).
- 4 Sett den tomme kannen i apparatet (fig. 7).
- 5 Sett støpselet i stikkontakten.
- 6 Trykk på av/på-knappen på forsiden for å slå på apparatet (fig. 8).
 - *Displayet begynner å lyse.*

- 7 Trykk på knappen for styrkevalg og vri på knappen for å velge innstillingen for forhåndsmalt kaffe (fig. 10).
- 8 Trykk på midten av knappen for å bekrefte. Trykk deretter på midten av knappen på nytt for å starte trakteprosessen (fig. 11).
- 9 Vent til halvparten av eddikblandingen har rent ned i kannen. Deretter trykker du på av/på-knappen for å stoppe trakteprosessen og lar blandingen ligge i minst 15 minutter (fig. 30).
- 10 Trykk på av/på-knappen for å slå kaffetrakteren på igjen (fig. 8).
- 11 Trykk på midten av knappen to ganger for å la apparatet fullføre trakteprosessen (fig. 19).
- 12 Tøm kannen, og kast papirfilteret.
- 13 Fyll vannbeholderen med kaldt vann, og trykk på midten av knappen to ganger for å starte en ny trakteprosess. La kaffetrakteren fullføre hele trakteprosessen, og tøm kannen.
- 14 Gjenta trinn 13 til vannet ikke lenger smaker eller lukter eddik.
- 15 Rengjør filterkurven og kannen i oppvaskmaskinen eller med varmt vann og litt oppvaskmiddel.
- 16 Trykk på av/på-knappen på forsiden for å slå av apparatet.

7 Bestille tilbehør

Hvis du vil kjøpe tilbehør eller reservedeler, kan du gå til www.shop.philips.com/service eller gå til en Philips-forhandler. Du kan også ta kontakt med Philips' forbrukerstøtte i landet der du bor (se i garantiheftet for kontaktinformasjon).

8 Resirkulering

- Dette symbolet på et produkt betyr at produktet omfattes av EU-direktiv 2012/19/EU. Gjør deg kjent med lokale innsamlingsordninger for elektriske og elektroniske produkter. Følg lokale bestemmelser, og kast aldri produktet med vanlig husholdningsavfall. Riktig deponering av gamle produkter bidrar til å forhindre negative konsekvenser for helse og miljø (fig. 31).

9 Garanti og støtte

Hvis du trenger kundestøtte eller informasjon, kan du gå til www.philips.com/support eller lese i garantiheftet.

10 Feilsøking

Dette avsnittet gir en oppsummering av de vanligste problemene som kan oppstå med apparatet. Hvis du ikke kan løse problemet ved hjelp av informasjonen nedenfor, kan du gå til www.philips.com/support for å se en liste over vanlige spørsmål, eller du kan kontakte forbrukerstøtten i landet der du bor.

Apparatet virker ikke.

- Sett støpselet i en stikkontakt, og trykk på av/på-knappen foran på apparatet for å slå det på.
- Kontroller at spenningen som er angitt på apparatet, stemmer overens med nettspenningen.
- Fyll vannbeholderen med vann.
- Lukk lokket på kaffebønnerennen.

Når jeg bruker maleren, er kaffen for svak.

- Sørg for at antallet kopper du velger med knappen for 2–10 kopper; passer til mengden vann i vannbeholderen. Husk at kaffetrakteren bruker alt vannet i vannbeholderen.
- Bruk knappen for styrkevalg for å angi kaffestyrken til sterk.
- Når du bruker kaffebønner, må du sørge for ikke å trykke på knappen for forhåndsmalt kaffe, siden maleren da blir slått av.
- Bruk kaffebønner fra en sterkere blanding eller smak.
- Pass på at det valgte antallet kopper samsvarer med mengden vann i vannbeholderen.

Når jeg bruker forhåndsmalt kaffe, blir kaffen for svak.

- Sørg for at mengden med forhåndsmalt kaffe i filteret passer til mengden vann i vannbeholderen. Husk at apparatet bruker alt vannet i vannbeholderen.
- Bruk malt kaffe fra en sterkere blanding eller smak.
- For å øke styrken på kaffen kan du øke mengden forhåndsmalt kaffe eller redusere mengden vann.

Filteret renner over når jeg fjerner kannen fra apparatet mens det trakter kaffe.

- Hvis du fjerner kannen i mer enn 20 sekunder i løpet av trakteprosessen, gjør dryppstoppen at filterkurven renner over. Vær også oppmerksom på at kaffen ikke blir så smakfull som den skal være, før på slutten av trakteprosessen. Derfor anbefaler vi at du ikke fjerner kannen og heller ut kaffe før trakteprosessen er ferdig.

Apparatet fortsetter å dryppe lenge etter at trakteprosessen er ferdig.

- Dryppingen forårsakes av kondens fra dampen. Det er helt normalt at apparatet drypper en stund.
- Hvis dryppingen ikke stopper, kan dryppstoppet være blokkert. Du rengjør dryppstoppet ved å trekke i tappen på filterkurvholderen på høyre side på kaffetrakteren for å åpne holderen. Ta ut filterkurven. Skyll deretter filterkurven og dryppstoppet under springen.
- Hvis du fjerner kannen i mer enn 20 sekunder i løpet av trakteprosessen, fører dryppstoppet til at filterkurven renner over.

Kaffen er ikke varm nok.

- Varm opp kannen med varmt vann før du begynner å trakte kaffe.
- Kaffen i kannen avkjøles raskere hvis du bare trakter noen få kopper. Kaffen holder seg varm lenger hvis du trakter 10 kopper; som utgjør en full kanne.
- Bruk tynne kopper ettersom de absorberer mindre varme fra kaffen enn tykke kopper.
- Ikke bruk melk som kommer direkte fra kjøleskapet.
- Avkalke apparatet. Se Avkalke kaffetrakteren i avsnittet Rengjøring og vedlikehold.

Apparatet begynner ikke å rengjøre kaffebønnerennen.

- Pass på at apparatet er koblet til strømnettet.
- Pass på at lokket på kaffebønnerennen er åpent før du trykker på og holder inne knappen for styrkevalg i fire sekunder.
- Trykk på og hold inne knappen for styrkevalg i fire sekunder til kvernen begynner å rengjøre seg selv.

Apparatet jobber; men du hører en pipelyd.

- Undersøk om lokket på kaffebønnerennen er ordentlig lukket.

Det virker som om kaffebønnene blir brukt opp så raskt.

- Det ser kanskje ut som om kaffebønnene blir brukt opp raskt. For å sikre et perfekt kopp kaffe er det nødvendig med en bestemt mengde malt kaffe. Mengden kaffebønner apparatet bruker for å få perfekt mengde malt kaffe, er normal.

1 Introduktion

Grattis till inköpet och välkommen till Philips!
För att dra maximal nytta av den support som Philips erbjuder kan du registrera din produkt på www.philips.com/welcome.

2 Allmän beskrivning (Bild 1)

- 1 Filterkorg
- 2 Filterkorghållare
- 3 Vattennivåindikator
- 4 Lock till vattenbehållaren
- 5 Bönbehållarlock
- 6 Behållarväljare
- 7 Grovleksvred
- 8 Duobehållare för kaffeböner
- 9 Lock till rännan för kaffeböner
- 10 Ränna för kaffebönsutmatare
- 11 Hål för vattenpåfyllning
- 12 Teckenfönster
 - A Ikon för förmalet kaffe
 - B Antal koppar
 - C Kaffekoppsikon
 - D Ikon för val av kaffebönstyrka
 - E Knapp för val av styrka
 - F Timerknapp
 - G Timangivelse
 - H Minutangivelse
 - I Timerikon
- 13 På/av-knapp
- 14 Lock till glaskanna
- 15 Glaskanna
- 16 Rengöringsborste

3 Viktigt

Läs användarhandboken noggrant innan du använder apparaten och spara den för framtida bruk.

3.1 Fara

- Sänk aldrig ned apparaten i vatten eller någon annan vätska och skölj den inte under kranen.

3.2 Varning

- Kontrollera att den nätspänning som anges på apparatens undersida motsvarar den lokala nätspänningen innan du kopplar in den.
- Om nätsladden är skadad måste den alltid bytas ut av Philips, något av Philips auktoriserade serviceombud eller liknande behöriga personer för att undvika olyckor.
- Den här apparaten kan användas av barn från 8 års ålder, personer med olika funktionshinder samt av personer som inte har kunskap om apparaten såvida det sker under tillsyn eller om de har informerats om hur apparaten används på ett säkert sätt och de eventuella medförda riskerna. Rengöring och användarunderhåll får utföras av barn om de är äldre än 8 år och under tillsyn av vuxen. Håll apparaten och dess sladd utom räckhåll för barn under 8 år.
- Barn ska inte leka med apparaten.

- Se till att nätsladden inte hänger över kanten på bordet eller arbetsbänken där apparaten står.
- Rör inte vid apparatens malskivor, i synnerhet då apparaten är ansluten till elnätet.
- Förvara förpackningsmaterialet (plastpåsar, kartong osv.) utom räckhåll för barn, eftersom det inte är en leksak.
- Rör inte vid apparatens varma delar när den används.
- Apparaten är utvecklad för att mala kaffeböner och brygga kaffe. Använd den på rätt sätt och med varsamhet så att du inte bränner dig på hett vatten eller ånga.
- Töm inte vattenbehållaren genom att luta apparaten eftersom kan det skada apparaten. Töm bara vattenbehållaren enligt sköljningsinstruktionerna.
- Använd inte apparaten om stickkontakten, nätsladden eller själva apparaten är skadad.
- Om ett problem uppstår som du inte kan lösa med hjälp av den här användarhandboken kontaktar du Philips kundtjänst i ditt land. Om problemet fortfarande inte kan lösas tar du med apparaten till ett av Philips auktoriserade serviceombud för undersökning och reparation. Försök inte reparera apparaten själv. Om du gör det upphör garantin att gälla.

3.3 Försiktighet

- Placera inte apparaten på en varm yta, och förhindra att nätsladden kommer i kontakt med varma ytor.
- Dra ur sladden om problem uppstår under malning eller bryggning och innan du rengör apparaten.
- Flytta inte apparaten medan den är igång.
- Apparaten blir varm under användning. Låt apparaten svalna innan du ställer undan den.
- Vid bryggning blir den nedre delen av apparaten och kannans underdel varma.
- Se till att alla delar är med och att apparaten inte är skadad när du har packat upp den. Om du känner dig osäker ska du inte använda apparaten utan kontakta kundtjänsten i ditt land.
- Apparaten är endast avsedd för normalt hushållsbruk. Den är inte avsedd för användning i miljöer som personalkök i verkstäder, på kontor eller i andra arbetsmiljöer. Den är inte heller avsedd att användas av kunder på hotell, motell, bed and breakfast och i andra boendemiljöer.

3.4 Elektromagnetiska fält (EMF)

Den här Philips-produkten uppfyller alla tillämpliga standarder och regler gällande exponering av elektromagnetiska fält.

4 Före första användningen

4.1 Ställa klockan

- 1 Sätt in stickkontakten i vägguttaget.
 - *På skärmen blinkar 00:00 för att ange att du behöver ställa klockan.*
- 2 Vrid på knappen för att ställa in timme (Bild 2).
- 3 Tryck i mitten av knappen för att bekräfta timme (Bild 3).
 - *Minuterna börjar blinka för att ange att du behöver ställa in minuterna.*
- 4 Vrid på knappen för att ställa in minut (Bild 4).
- 5 Tryck i mitten av knappen för att bekräfta minut (Bild 5).
- 6 I teckenfönstret visas den inställda tiden. Kaffebryggaren är klar för användning.

4.2 Inställning av tid för automatisk avstängning

Du kan justera tiden efter vilken apparaten stängs av automatiskt. Standardtiden är inställd på 30 minuter. Du kan justera tiden till max 120 minuter. Om du vill justera tiden för automatisk avstängning följer du stegen nedan.

- 1 Se till att apparaten är avstängd (men att stickkontakten sitter i vägguttaget).
- 2 Tryck i mitten av knappen och håll intryckt tills teckenfönstret börjar blinka.
- 3 Vrid på knappen om du vill öka eller minska tiden. 1 är 10 minuter, 2 är 20 minuter, 3 är 30 minuter och så vidare tills 12 är 120 minuter.
- 4 Tryck i mitten av knappen för att bekräfta minut.

Obs!

Apparaten sparar alltid den senaste inställningen.

4.3 Skölja igenom apparaten

Du måste skölja igenom kaffebryggaren en gång före första användningen.

- 1 Öppna locket till vattenbehållaren. Fyll på med rent kallvatten till vattenbehållarens **markering för 8 koppar (Bild 6).**

Obs!

Lägg inte i kaffeböner eller malet kaffe i apparaten.

- 2 Stäng locket till vattenbehållaren.
- 3 Ställ kannan i apparaten (Bild 7).
- 4 Tryck på på/av-knappen (Bild 8).
 - *Teckenfönstret tänds.*
- 5 Tryck på knappen för val av styrka (Bild 9).
- 6 Vrid på knappen för att välja inställningen för förmålet kaffe (Bild 10).
 - *Ikonen för förmålet kaffe tänds.*
- 7 Tryck i mitten av knappen för att bekräfta. Tryck sedan i mitten av knappen en gång till för att starta spolningsprocessen (Bild 11).
- 8 Kör apparaten tills spolningsprocessen är slutförd.
- 9 Töm kannan.

5 Använda apparaten

5.1 Fylla på vattenbehållaren

- 1 Öppna locket till vattenbehållaren och fyll vattenbehållaren med den mängd kallt vatten som krävs. (Bild 6)
När du öppnar locket till vattenbehållaren kan du se markeringar för 2–10 koppar på apparatens insida. Med hjälp av dessa markeringar kan du avgöra hur mycket vatten du ska hälla i vattenbehållaren. Avspeglingen ändras från ljus till mörk för varje fylld kopp vatten. Du kan också använda vattennivåindikatorn på kannan.

Obs!

Fyll inte vattenbehållaren över 10-koppsmarkeringen.

5.2 Med kaffeböner

Varning!

Håll alltid locket till vattenbehållaren stängt när du fyller behållaren för kaffeböner med kaffeböner. Annars kan kaffeböner ramla ner i vattenbehållaren och blockera påfyllningshålet för vatten.

- 1 Ta av locket från behållaren för kaffeböner. (Bild 12)
- 2 Fyll duobehållaren för kaffeböner med kaffeböner. Du kan fylla duobehållaren för kaffeböner med två olika typer av kaffeböner. Se till att det finns tillräckligt med kaffeböner i behållaren för mängden kaffe du vill brygga (Bild 13).

Obs!

Se alltid till att behållaren för kaffeböner är minst halvfull.

Varning!

För att förhindra att kvarnen blockeras, använd inte orostade eller karamelliserade böner. Vi råder dig att använda kaffeböner istället för espressoböner eftersom de kan orsaka skada.

- 3 För att öppna filterkorghållaren, dra i filken på högra sidan av kaffebryggaren (Bild 14).
- 4 Ta ett pappersfilter (typ 1x4 eller nummer 4) och vik de förslutna kanterna för att förhindra att filtret rivs sönder eller viks. Lägg pappersfiltret i filterhållaren. (Bild 15)
- 5 Stäng filterkorghållaren.
- 6 Ställ kannan i apparaten. (Bild 7)
- 7 Vrid på grovleksvredet för att välja önskad malningstyp (från fin till grov). (Bild 16)

Tips:

Med grovleksvredet kan du välja mellan nio olika inställningar. Vi har förvalt 3 optimala inställningar men du kan också välja någon inställning mellan ikonerna. Vi rekommenderar att du experimenterar med de olika malningsinställningarna för att ta reda på vilken inställning du föredrar.

- 8 Vrid på behållarväljaren för att välja mellan de två typerna av kaffeböner (Bild 17).

Varning!

När du växlar mellan behållarväljaren för kaffeböner eller kaffeböner, finns det alltid kafferester från den tidigare malningstypen av kaffeböner. Rengör rännan för kaffeböner när du har ändrat till en ny typ av kaffeböner för att förhindra det.

Obs!

Beroende på tycke och smak kan du antingen välja någon av de två typerna av kaffeböner eller en blandning av båda typerna.

- 9 Tryck på på/av-knappen på framsidan av apparaten (Bild 8).
 - *Antalet koppar börjar blinka.*
- 10 För att välja antalet koppar, vrid på knappen tills önskat antal koppar visas på skärmen (Bild 18).

Obs!

Se till att antalet koppar du väljer med knappen 2–10 koppar stämmer överens med mängden vatten i vattenbehållaren. Kom ihåg att kaffebryggaren använder allt vatten i vattenbehållaren. Om du väljer ett lägre antal koppar än mängden vatten blir kaffet blir svagare än du tänkt.

- 11 Tryck i mitten av knappen för att bekräfta antal koppar.
- 12 Tryck på knappen för val av styrka. (Bild 9).
 - *Kaffebönsikonen börjar blinka.*
- 13 Vrid på knappen för att välja den önskade kaffestyрkan (mild: 1 böna, medel: 2 böner eller stark: 3 böner) (Bild 10).
 - *Den inställda kaffestyрkan visas i teckenfönstret.*

Tips:

Vi rekommenderar att du experimenterar med mängden av vatten att ta reda på vilken styrka du föredrar. Om du väljer ett antal koppar som är högre än mängden vatten, blir kaffet starkare. Om du väljer ett antal koppar som är mindre än mängden vatten, blir kaffet svagare.

- 14** Tryck i mitten av knappen för att bekräfta. Tryck sedan i mitten av knappen en gång till för att starta bryggingsprocessen (Bild 19).

- ***Kvarnen mal rätt mängd kaffeböror.***

- 15** Vänta tills kaffebryggaren har slutat brygga innan du tar bort kannan.

Obs!

När bryggningen är klar droppar det kaffe från filterkorgen i några sekunder.

5.3 Med förmalet kaffe

Om du vill använda förmalet kaffe i stället för kaffeböror följer du stegen nedan.

- 1** Öppna locket till vattenbehållaren och fyll vattenbehållaren med den mängd kallt vatten som krävs. (Bild 6)
- 2** För att öppna filterkorghållaren, dra i fliken på högra sidan av kaffebryggaren (Bild 14).
- 3** Ta ett pappersfilter (typ 1x4 eller nummer 4) och vik de förslutna kanterna för att förhindra att filtret rivs sönder eller viks. Lägga pappersfiltret i filterhållaren (Bild 15).
- 4** Lägga förmalet kaffe i pappersfiltret.

Obs!

Du kan justera kaffestyrkan efter din egen personliga smak. För en medelstark kopp kaffe använder du ett kaffemått (cirka 6 g) malet kaffe för varje kopp (120 ml). För starkare kaffe använder du 1,5 kaffemått malet kaffe för varje kopp kaffe.

- 5** Stäng filterkorghållaren.
- 6** Ställ kannan i apparaten (Bild 7).
- 7** Tryck på på/av-knappen (Bild 8).
- ***Teckenfönstret tänds.***
- 8** Tryck på knappen för val av styrka (Bild 9).

- 9** Vrid på knappen för att välja inställningen för förmalet kaffe (Bild 10).

- ***Ikonen för förmalet kaffe tänds.***

- 10** Tryck i mitten av knappen för att bekräfta. Tryck sedan i mitten av knappen en gång till för att starta bryggingsprocessen (Bild 11).

- 11** Vänta tills kaffebryggaren har slutat brygga innan du tar bort kannan.

Obs!

När bryggningen är klar droppar det kaffe från filterkorgen i några sekunder.

5.4 Ställa in timern

Med timern kan du ställa in tiden för när bryggningen ska starta. Se till att alla steg för kaffebryggningen antingen är för förmalet eller för kaffeböror innan du ställer in timern.

- 1** Tryck på timerknappen. (Bild 20)
- ***På skärmen blinkar 00:00 för att ange att du behöver ställa in timern.***
- 2** Vrid på knappen för att ställa in timme (Bild 21).
- 3** Tryck i mitten av knappen för att bekräfta timme (Bild 22).
- ***Minuterna börjar blinka för att ange att du behöver ställa in minuterna.***
- 4** Vrid på knappen för att ställa in minut (Bild 23).
- 5** Tryck i mitten av knappen för att bekräfta minut (Bild 24).
- ***Timern är inställd och bryggningen börjar på den förinställda tiden.***

5.5 Droppstopp

Droppstoppet gör att du kan ta bort kannan från kaffebryggaren innan bryggningen avslutas. När du tar bort kannan avbryter droppstoppet flödet av kaffe in i kannan.

Obs!

Bryggningen avbryts inte när du tar bort kannan. Om du inte ställer tillbaka kannan på sin plats i apparaten inom 20 sekunder svämmar filterkorgen över.

6 Rengöring och underhåll

6.1 Rengöring efter varje användning

Varning!

Sänk aldrig ned apparaten i vatten eller någon annan vätska och skölj den inte under kranen.

- 1 Tryck på apparatens på/av-knapp på apparatens framsida för att stänga av den. (Bild 25)
- 2 Ta ut stickkontakten ur vägguttaget.
- 3 Torka av kaffebyggarens utsida med en fuktig trasa (Bild 26).
- 4 Rengör filterkorgen och kannan i diskmaskinen eller med varmt vatten och lite diskmedel.

6.2 Rengöra rännan för kaffeböner

När du växlar mellan behållarväjlaren för kaffeböner eller kaffeböner kommer det alltid att finnas kvar rester från den tidigare malda typen av kaffeböner som kan påverka kaffets smak. Rengör kaffebönsrännan med 1 till 2 veckors mellanrum eller när du byter behållarväjlare för kaffeböner för att förhindra att nymalet kaffe och rester i kaffebönsrännan blandas. När du har bytt till en ny typ av kaffeböner följer du stegen nedan för att få bästa möjliga smak.

- 1 Tryck på apparatens på/av-knapp på apparatens framsida för att stänga av den (Bild 25).
- 2 För att öppna filterkorghållaren, dra i fliken på högra sidan av kaffebyggaren (Bild 4).
- 3 Ta ett pappersfilter (typ 1x4 eller nummer 4) och vik de förslutna kanterna för att förhindra att filtret rivs sönder eller viks. Lägg pappersfiltret i filterhållaren. (Bild 15)
- 4 Stäng filterkorghållaren.
- 5 För in den platta delen av rengöringsborstens handtag i kaffebönsutmatarens ränna och tryck den nedåt (Bild 27).

Obs!

Om du endast vill rengöra rännan för kaffeböner snabbt med borsten kan du fortsätta till steg 7. Om du vill förhindra att malna kafferester påverkar smaken på de nya kaffebönerna kan du fortsätta till steg 6.

- 6 Håll ned knappen för val av styrka i 4 sekunder (Bild 28).
 - *Kvarnen börjar göra rent sig själv.*
- 7 När kvarnen har slutat rengöra, använd rengöringsborsten att borsta bort malna kafferester i den undre delen av rännan (Bild 29).
 - *Kafferesterna hamnar i filterkorgen.*

Varning!

Tappa inte borsten i rännan för kaffeböner.

- 8 Stäng locket till rännan för kaffeböner.
- 9 Ta bort pappersfiltret med kafferesterna och släng det.

6.3 Kalka av kaffebyggaren

Avkalka kaffebyggaren när mängden ånga eller bryggningstiden ökar. Vi rekommenderar att du avkalkar kaffebyggaren varannan månad. Använd bara vit ättika när du avkalkar, eftersom andra produkter kan skada kaffebyggaren.

Varning!

Använd aldrig ättika med ättiksyra på över 8 %, naturlig vinäger, avkalkningspulver eller avkalkningstabletter till att avkalka apparaten, eftersom det kan orsaka skada.

- 1 Öppna locket till vattenbehållaren.
- 2 Fyll vattenbehållaren med åtta koppar ättika (4 % ättiksyra) och två koppar vatten (Bild 6).
- 3 Sätt i ett pappersfilter (nummer 4) i filterkorgen och stäng filterkorghållaren (Bild 15).
- 4 Ställ den tomma kannan i apparaten (Bild 7).
- 5 Sätt in stickkontakten i vägguttaget.
- 6 Tryck på apparatens på/av-knapp på apparatens framsida för att starta den (Bild 8).
 - *Teckenfönstret tänds.*

- 7 Tryck på knappen för val av styrka och vrid på knappen för att välja den förvalda kaffeinställningen (Bild 10).
- 8 Tryck i mitten av knappen för att bekräfta. Tryck sedan i mitten av knappen en gång till för att starta bryggningsprocessen (Bild 11).
- 9 Vänta tills hälften av ättikslösningen har runnit ned i kannan. Avbryt sedan bryggningen genom att trycka på på/av-knappen och låt lösningen verka i minst en kvart (Bild 30).
- 10 Tryck på på/av-knappen för att slå på kaffebryggaren igen (Bild 8).
- 11 Tryck i mitten av knappen två gånger för att låta apparaten avsluta bryggningen (Bild 19).
- 12 Töm kannan och kasta pappersfiltret.
- 13 Fyll vattenbehållaren med kallt vatten och tryck i mitten av knappen två gånger för att starta en ny bryggning. Låt kaffebryggaren avsluta hela bryggningen och töm kannan.
- 14 Upprepa steg 13 tills vattnet inte längre smakar eller luktar ättika.
- 15 Rengör filterkorgen och kannan i diskmaskinen eller med varmt vatten och lite diskmedel.
- 16 Tryck på apparatens på/av-knapp på apparatens framsida för att stänga av den.

7 Beställa tillbehör

Om du vill köpa tillbehör eller reservdelar kan du gå till www.shop.philips.com/service eller en Philips-återförsäljare. Du kan även kontakta Philips kundtjänst i ditt land (kontaktinformation finns i garantibroschyren).

8 Återvinning

- Den här symbolen innebär att produkten omfattas av EU-direktivet 2012/19/EU. Ta reda på var närmaste återvinningsstation för elektriska och elektroniska produkter finns. Följ de lokala bestämmelserna och släng aldrig produkten bland normalt hushållsavfall. Korrekt kassering av gamla produkter bidrar till att förhindra negativ påverkan på miljö och hälsa (Bild 31).

9 Garanti och support

Om du behöver information eller support kan du gå till www.philips.com/support eller läsa garantibroschyren.

10 Felsökning

I det här kapitlet sammanfattas de vanligaste problemen som kan uppstå med apparaten. Om du inte kan lösa problemet med hjälp av informationen nedan kan du gå till www.philips.com/support och läsa svaren på vanliga frågor. Du kan även kontakta kundtjänst i ditt land.

Apparaten fungerar inte.

- Sätt i stickkontakten i vägguttaget och slå på apparaten genom att trycka på på/av-knappen på framsidan.
- Kontrollera att den spänning som anges på apparaten överensstämmer med den lokala nätspänningen.
- Fyll vattenbehållaren med vatten.
- Stäng locket till rännan för kaffeböner.

När jag använder kvarnen blir kaffet för svagt.

- Kontrollera att det antal koppar du väljer med knappen för 2–10 koppar överensstämmer med mängden vatten i vattenbehållaren. Kom ihåg att allt vatten som finns i kaffebryggarens vattenbehållare används vid bryggning.
- Välj starkare kaffe med knappen för val av kaffestyrka.
- När du använder kaffeböner måste du vara noga med att inte trycka på knappen för förmalet kaffe, eftersom du då stänger av kvarnen.
- Använd en starkare blandning eller kaffeböner med mer smak.
- Kontrollera att det antal koppar du väljer överensstämmer med mängden vatten i vattenbehållaren.

När jag använder förmalet kaffe blir kaffet för svagt.

- Se till att mängden förmalet kaffe i filtret stämmer överens med mängden vatten i vattenbehållaren. Tänk på att apparaten använder allt vatten i vattenbehållaren.
- Använd en starkare blandning eller malet kaffe med mer smak.
- Du kan öka kaffestyrkan genom att öka mängden förmalet kaffe eller minska mängden vatten.

Filtret svämmer över när jag tar bort kannan från apparaten under pågående bryggning.

- Om du tar bort kannan i mer än 20 sekunder under bryggningen får droppstoppet filterkorgen att svämma över. Tänk även på att kaffet inte får sin fulla smak förrän i slutet av bryggningen. Vi rekommenderar därför att du inte tar bort kannan och håller upp kaffe förrän bryggningen är klar.

Apparaten fortsätter droppa långt efter att bryggningen är klar:

- Droppet beror på kondenserad ånga. Det är helt normalt att apparaten droppar ett tag.
- Om det inte slutar droppa kan droppstoppet vara igentäppt. Rengör droppstoppet genom att dra i fliken på filterkorghållaren som sitter på kaffebryggarens högra sida och öppna hållaren. Ta ut filterkorgen och skölj den sedan tillsammans med droppstoppet under kranen.
- Om du tar bort kannan i mer än 20 sekunder under bryggningen får droppstoppet filterkorgen att svämma över.

Kaffet är inte tillräckligt varmt.

- Värm kannan med varmt vatten innan du börjar brygga kaffe.
- Kaffet i kannan svalnar fortare om du bara brygger några koppar. Kaffet håller sig varmt längre om du brygger 10 koppar, vilket motsvarar en full kanna.
- Använd tunna koppar, eftersom de absorberar mindre värme från kaffet än tjocka koppar.
- Använd inte mjölk som kommer direkt ur kylskåpet.
- Avkalka apparaten. Se avsnittet Kalka av kaffebryggaren i kapitlet Rengöring och underhåll.

Apparaten börjar inte rengöra rännan för kaffeböner.

- Se till att apparaten är ansluten till elnätet.
- Se till att locket till rännan för kaffeböner är öppet innan du håller knappen för val av kaffestyrka intryckt i 4 sekunder.
- Håll knappen för val av kaffestyrka intryckt i 4 sekunder tills kvarnen börjar självrengöras.

Apparaten fungerar men gör ett pipjud.

- Vänligen kontrollera om locket till rännan för kaffeböner är stängt ordentligt.

Det verkar som om kaffebönerna går åt snabbt.

- Det kan se ut som om kaffebönerna går åt snabbt. För att få en perfekt kopp kaffe krävs en viss mängd malet kaffe. Den mängd kaffeböner apparaten använder för att få den perfekta mängden malet kaffe är normalt.

